

ROECO

Bearing Data

Ball Bearing Units

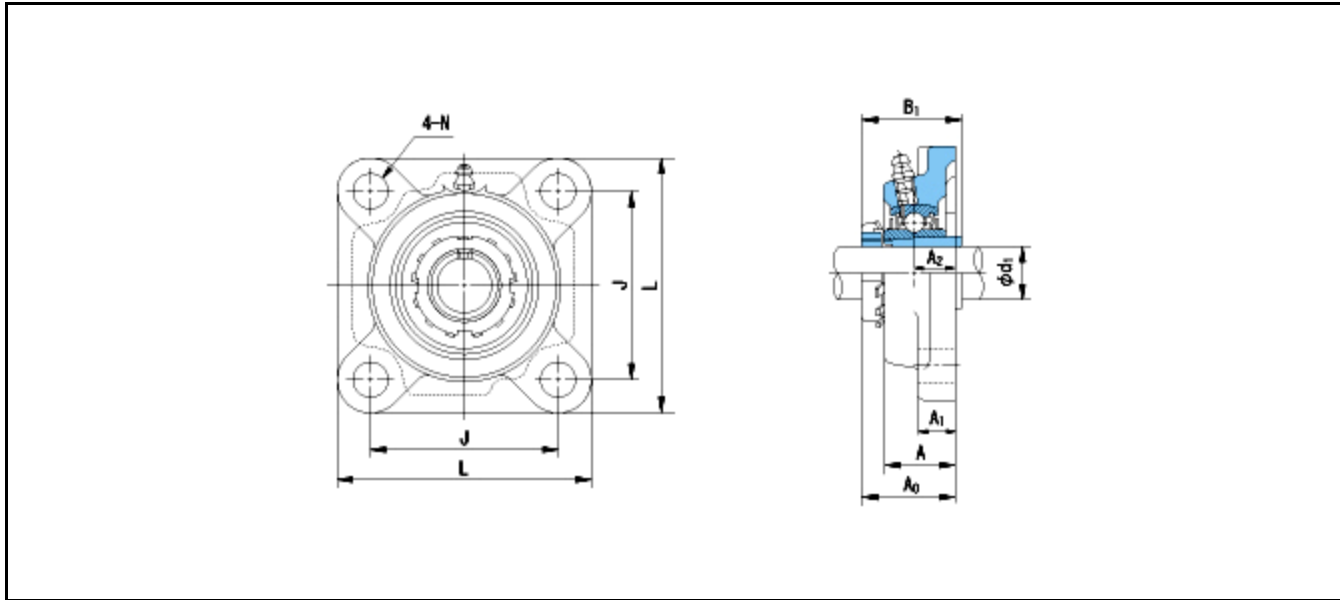
Bearing No. : **UKF207+H2307**

Dimensions

L = 117

J = 92

N = 14



Dimensions

d1 = 30

A1 = 16

A2 = 19

B1 = 43

A = 34

A0 = 41.5

Mass = 1.5 kg

Basic Dynamic Load Rating Cr :	25900 N	INNER RING OUTER RING	
Basic Static Load Rating Cor :	15400 N	O.D.Surface Runout with Side :	-
Limiting Speed ;		Axial Runout with Bore :	-
Grease Lubrication :	- rpm	Axial Runout with Raceway :	-
Oil Lubrication :	- rpm	Width Variation :	-
		Radial Runout :	-