

ROECO

Bearing Data

Ball Bearing Units

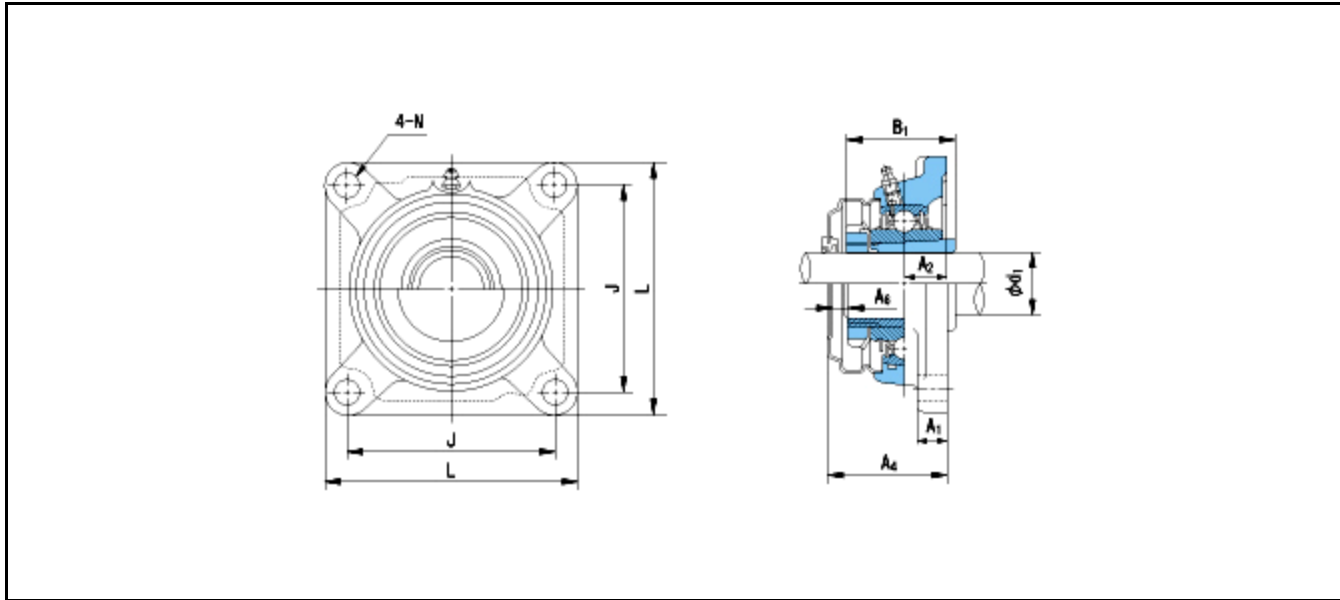
Bearing No. : **UKF205E+H2305**

Dimensions

L = 95

J = 70

N = 12



Dimensions

d1 = 20

A1 = 14

A2 = 16

B1 = 35

A4 = 48

A6 = 11

Mass = 0.91 kg

| | | | | | |
|--------------------------------|----------------|--------------------------------|--|--|---|
| Basic Dynamic Load Rating Cr : | 14000 N | | | | |
| Basic Static Load Rating Cor : | 7900 N | O.D.Surface Runout with Side : | | | - |
| Limiting Speed ; | | Axial Runout with Bore : | | | - |
| Grease Lubrication : | - rpm | Axial Runout with Raceway : | | | - |
| Oil Lubrication : | - rpm | Width Variation : | | | - |
| | | Radial Runout : | | | - |