

ROECO

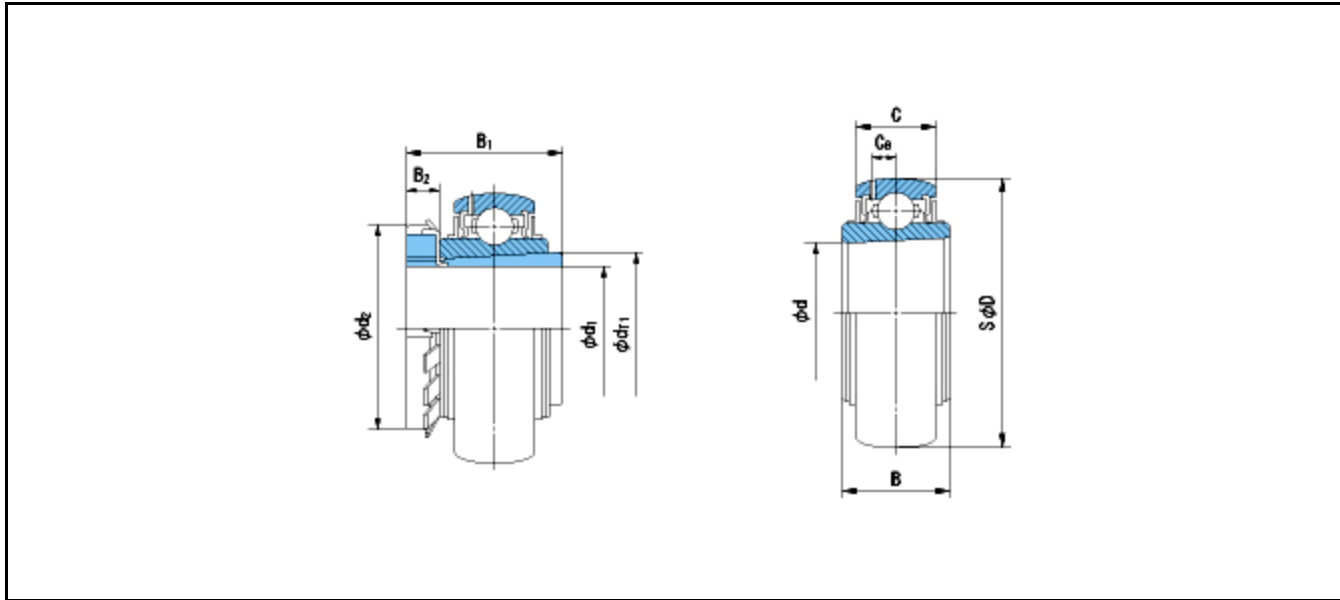
# Bearing Data

## Ball Bearing Units

Bearing No. : **UK326+H2326**

Dimensions

- d1 = 115
- d2 = 165
- dT1 = 138.5
- B1 = 121
- B2 = 23



Dimensions

- D = 280
- d = 130
- B = 92
- C = 68
- Ca = 23
- Mass = 23.3 kg

Basic Dynamic Load Rating Cr :	<b>229000 N</b>			
Basic Static Load Rating Cor :	<b>214300 N</b>	O.D.Surface Runout with Side :		-
Limiting Speed ;		Axial Runout with Bore :		-
Grease Lubrication :	- rpm	Axial Runout with Raceway :		-
Oil Lubrication :	- rpm	Width Variation :		-
		Radial Runout :		-