

ROECO

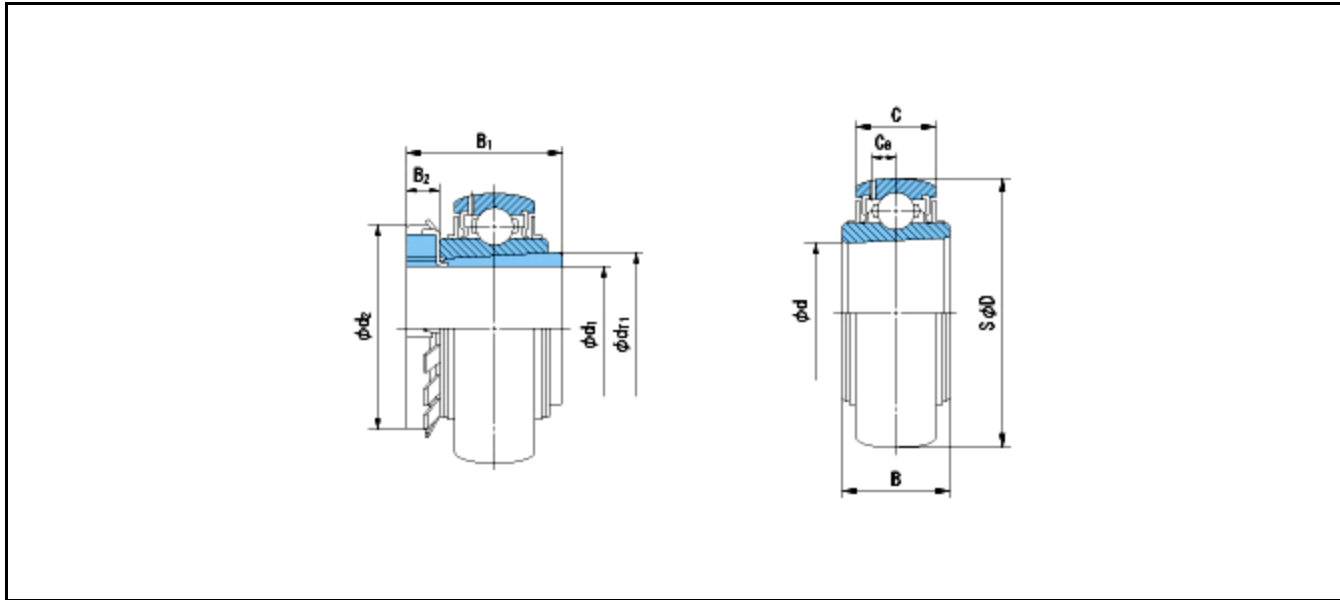
Bearing Data

Ball Bearing Units

Bearing No. : **UK324+H2324**

Dimensions

- d1 = 110
- d2 = 155
- dT1 = 127.5
- B1 = 112
- B2 = 22



Dimensions

- D = 260
- d = 120
- B = 86
- C = 64
- Ca = 22
- Mass = 18 kg

Basic Dynamic Load Rating Cr :	207000 N			
Basic Static Load Rating Cor :	184800 N	O.D.Surface Runout with Side :		-
Limiting Speed ;		Axial Runout with Bore :		-
Grease Lubrication :	- rpm	Axial Runout with Raceway :		-
Oil Lubrication :	- rpm	Width Variation :		-
		Radial Runout :		-