

ROECO

Bearing Data

Ball Bearing Units

Bearing No. : **UK322+H2322**

Dimensions

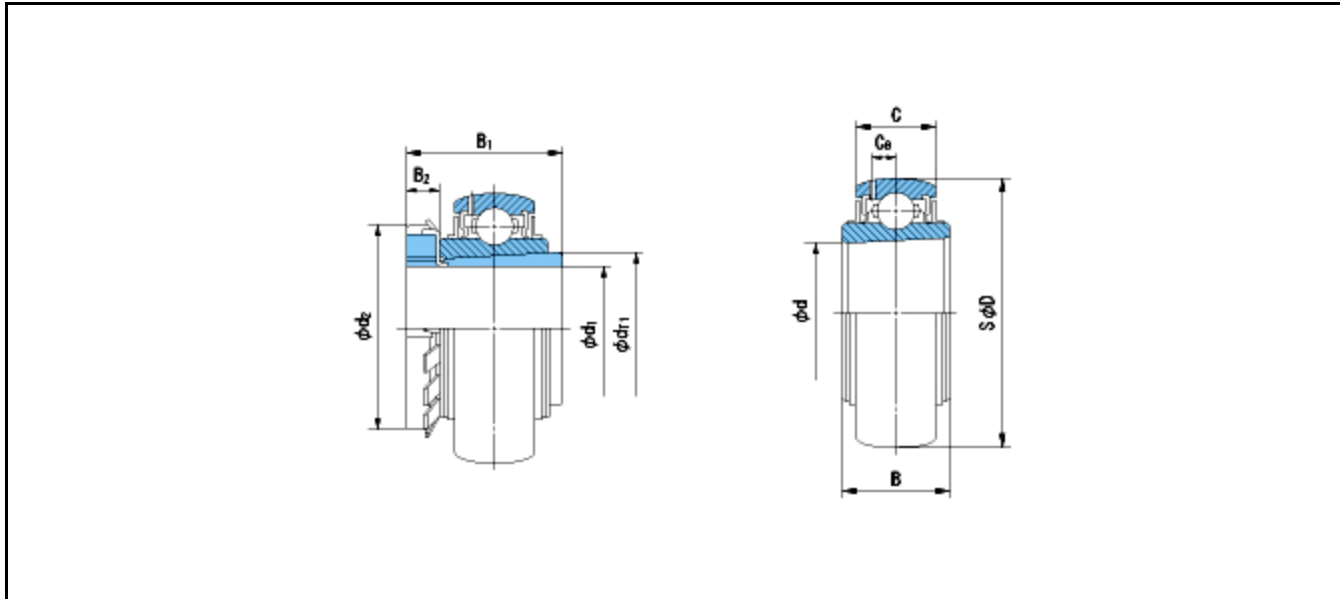
d1 = 100

d2 = 145

dT1 = 117

B1 = 105

B2 = 21



Dimensions

D = 240

d = 110

B = 80

C = 60

Ca = 21

Mass = 14.4 kg

Basic Dynamic Load Rating Cr :	205000 N				
Basic Static Load Rating Cor :	178800 N	O.D.Surface Runout with Side :			-
Limiting Speed ;		Axial Runout with Bore :			-
Grease Lubrication :	- rpm	Axial Runout with Raceway :			-
Oil Lubrication :	- rpm	Width Variation :			-
		Radial Runout :			-