

ROECO

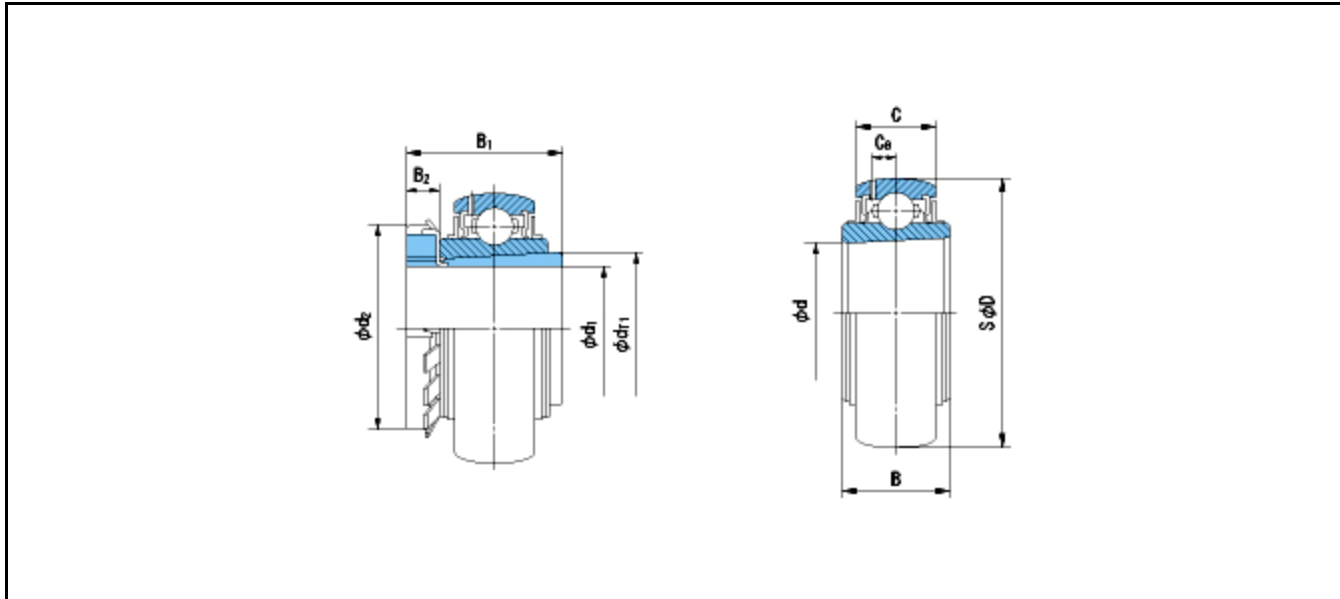
Bearing Data

Ball Bearing Units

Bearing No. : **UK320+H2320**

Dimensions

- d1 = 90
- d2 = 130
- dT1 = 106.5
- B1 = 97
- B2 = 20



Dimensions

- D = 215
- d = 100
- B = 72
- C = 54
- Ca = 18
- Mass = 10.8 kg

Basic Dynamic Load Rating Cr :	173000 N			
Basic Static Load Rating Cor :	140400 N	O.D.Surface Runout with Side :		-
Limiting Speed ;		Axial Runout with Bore :		-
Grease Lubrication :	- rpm	Axial Runout with Raceway :		-
Oil Lubrication :	- rpm	Width Variation :		-
		Radial Runout :		-