

ROECO

Bearing Data

Ball Bearing Units

Bearing No. : **UK319+H2319**

Dimensions

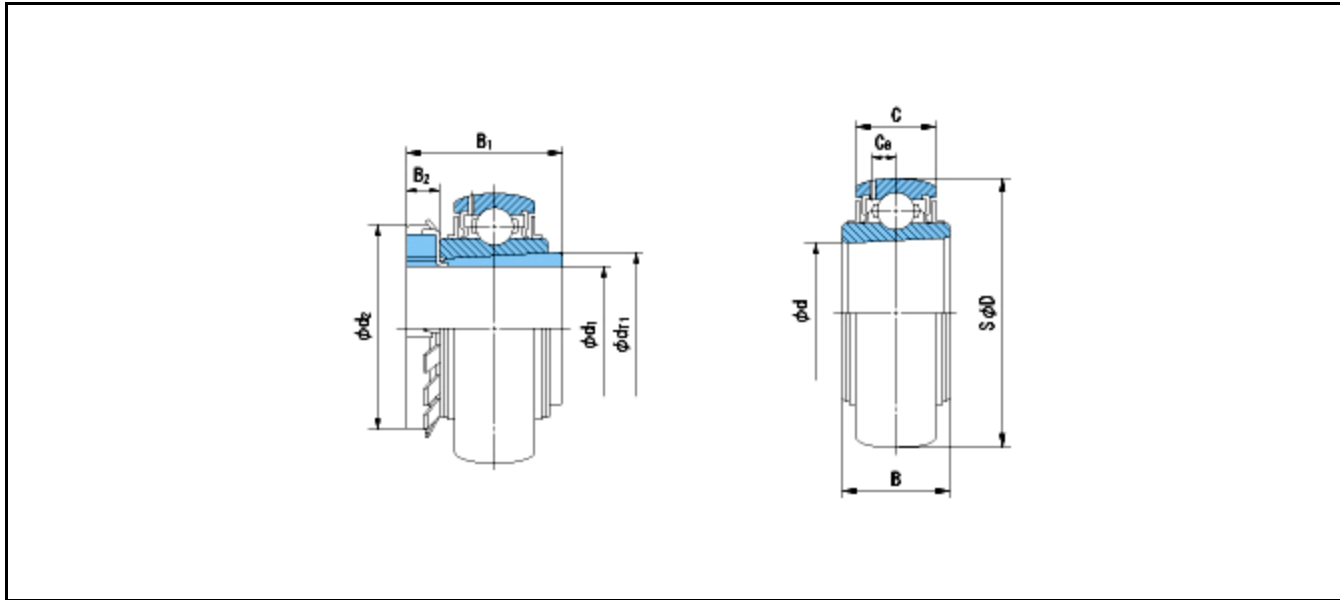
d1 = 85

d2 = 125

dT1 = 101

B1 = 90

B2 = 19



Dimensions

D = 200

d = 95

B = 66

C = 50

Ca = 16.7

Mass = 8.72 kg

Basic Dynamic Load Rating Cr :	153000 N				
Basic Static Load Rating Cor :	118400 N	O.D.Surface Runout with Side :			-
Limiting Speed ;		Axial Runout with Bore :			-
Grease Lubrication :	- rpm	Axial Runout with Raceway :			-
Oil Lubrication :	- rpm	Width Variation :			-
		Radial Runout :			-