

ROECO

Bearing Data

Ball Bearing Units

Bearing No. : **UK318+H2318**

Dimensions

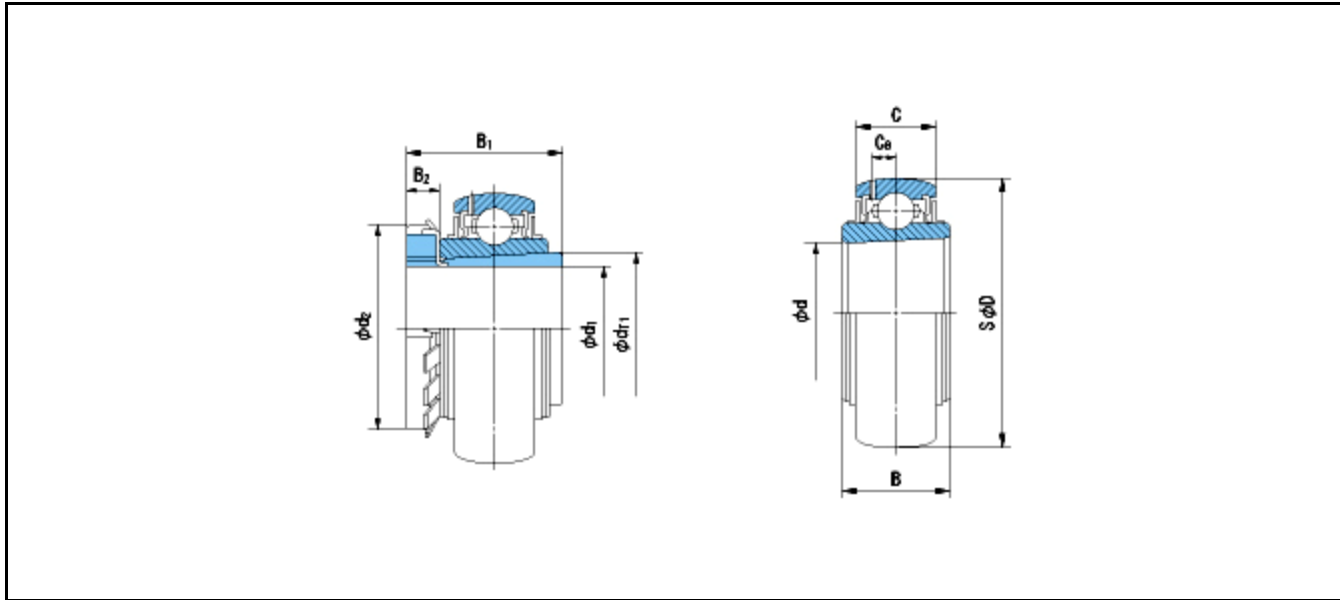
d1 = 80

d2 = 120

dT1 = 96

B1 = 86

B2 = 18



Dimensions

D = 190

d = 90

B = 63

C = 48

Ca = 15.9

Mass = 7.52 kg

| | | | | |
|--------------------------------|-----------------|--------------------------------|--|---|
| Basic Dynamic Load Rating Cr : | 143000 N | | | |
| Basic Static Load Rating Cor : | 107200 N | O.D.Surface Runout with Side : | | - |
| Limiting Speed ; | | Axial Runout with Bore : | | - |
| Grease Lubrication : | - rpm | Axial Runout with Raceway : | | - |
| Oil Lubrication : | - rpm | Width Variation : | | - |
| | | Radial Runout : | | - |