

ROECO

Bearing Data

Ball Bearing Units

Bearing No. : **UK316+H2316**

Dimensions

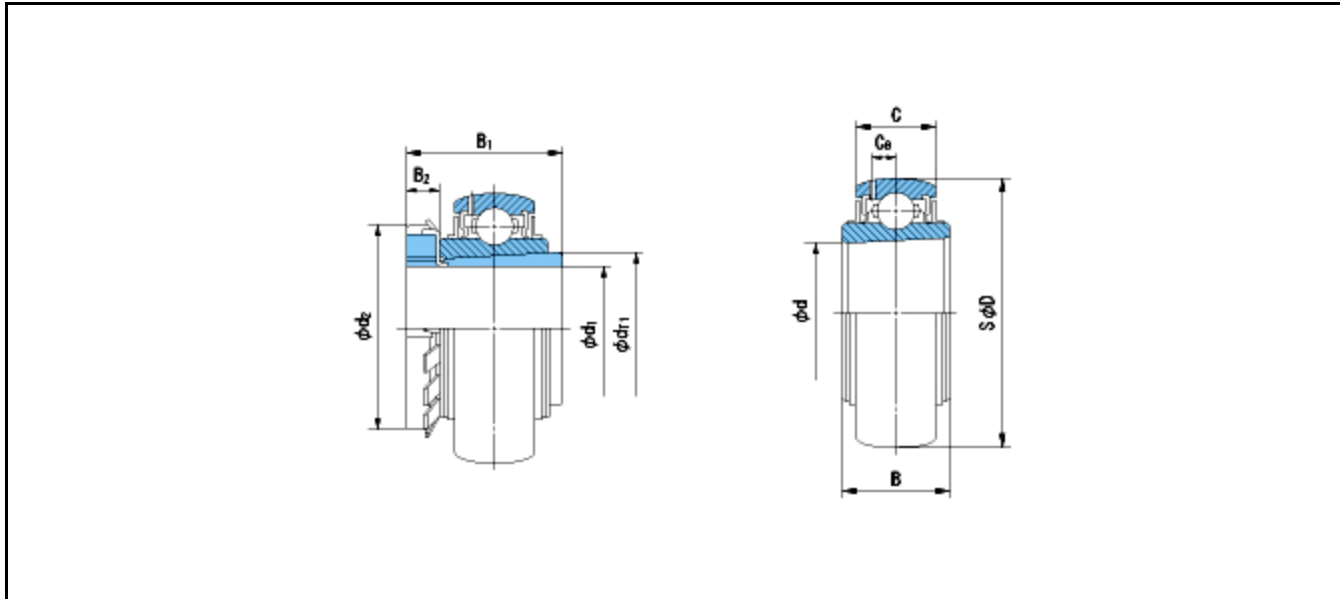
d1 = 70

d2 = 105

dT1 = 85.5

B1 = 78

B2 = 17



Dimensions

D = 170

d = 80

B = 57

C = 44

Ca = 14.5

Mass = 5.62 kg

| | | | | | |
|--------------------------------|-----------------|--------------------------------|--|--|---|
| Basic Dynamic Load Rating Cr : | 123000 N | | | | |
| Basic Static Load Rating Cor : | 86400 N | O.D.Surface Runout with Side : | | | - |
| Limiting Speed ; | | Axial Runout with Bore : | | | - |
| Grease Lubrication : | - rpm | Axial Runout with Raceway : | | | - |
| Oil Lubrication : | - rpm | Width Variation : | | | - |
| | | Radial Runout : | | | - |