

ROECO

# Bearing Data

## Ball Bearing Units

Bearing No. : **UK315+H2315**

Dimensions

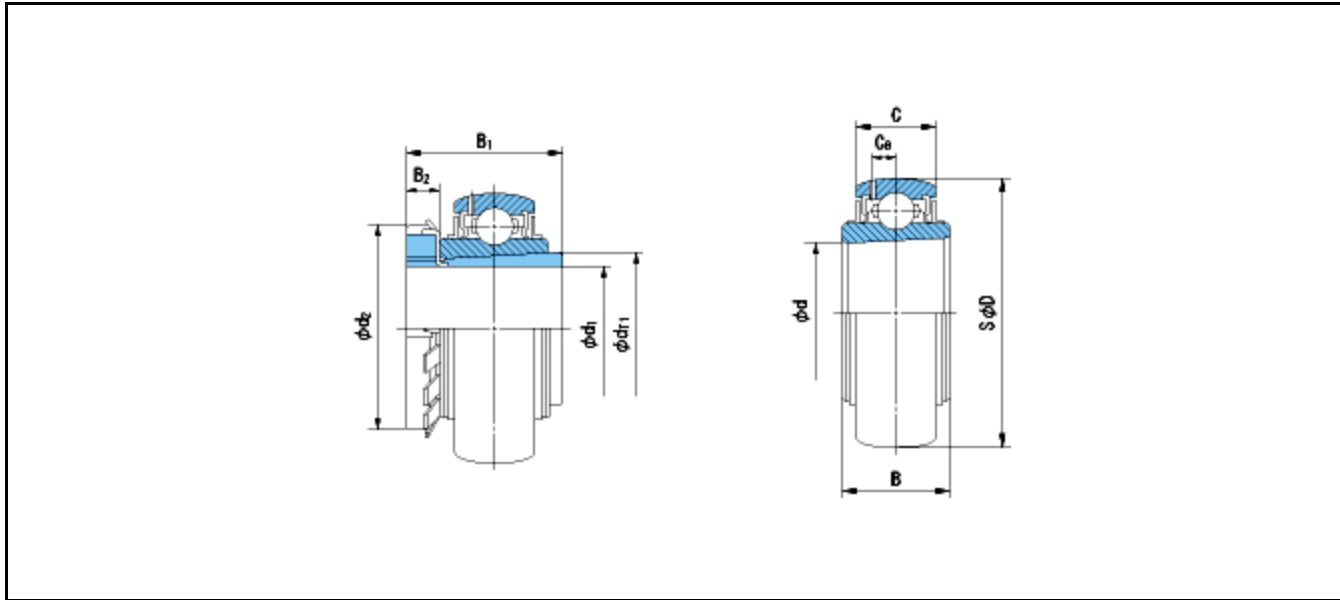
d1 = 65

d2 = 98

dT1 = 80

B1 = 73

B2 = 15



Dimensions

D = 160

d = 75

B = 54

C = 42

Ca = 13.8

Mass = 4.74 kg

Basic Dynamic Load Rating Cr :	<b>114000 N</b>			
Basic Static Load Rating Cor :	<b>76900 N</b>	O.D.Surface Runout with Side :		-
Limiting Speed ;		Axial Runout with Bore :	-	
Grease Lubrication :	- rpm	Axial Runout with Raceway :	-	-
Oil Lubrication :	- rpm	Width Variation :	-	-
		Radial Runout :	-	-