

ROECO

Bearing Data

Ball Bearing Units

Bearing No. : **UK309+H2309**

Dimensions

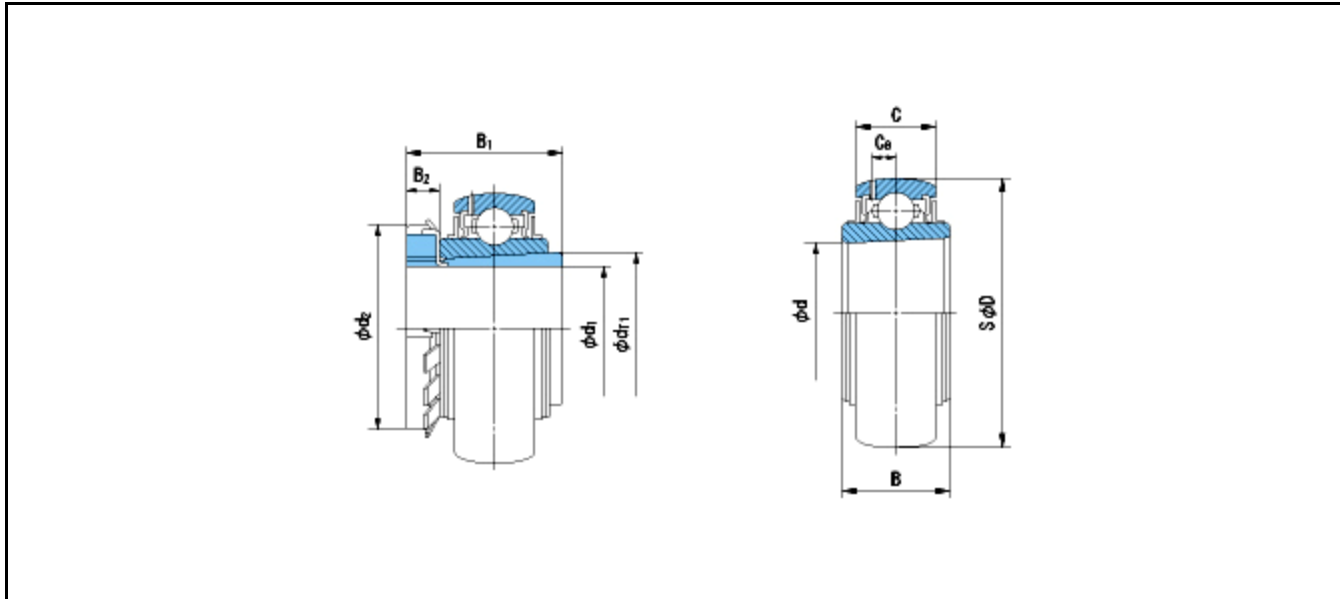
d1 = 40

d2 = 65

dT1 = 48.5

B1 = 50

B2 = 11



Dimensions

D = 100

d = 45

B = 37

C = 30

Ca = 9

Mass = 1.31 kg

Basic Dynamic Load Rating Cr :	51500 N		INNER RING	OUTER RING
Basic Static Load Rating Cor :	29500 N	O.D.Surface Runout with Side :		-
Limiting Speed ;		Axial Runout with Bore :	-	-
Grease Lubrication :	- rpm	Axial Runout with Raceway :	-	-
Oil Lubrication :	- rpm	Width Variation :	-	-
		Radial Runout :	-	-