

ROECO

# Bearing Data

## Ball Bearing Units

Bearing No. : **UK307+H2307**

Dimensions

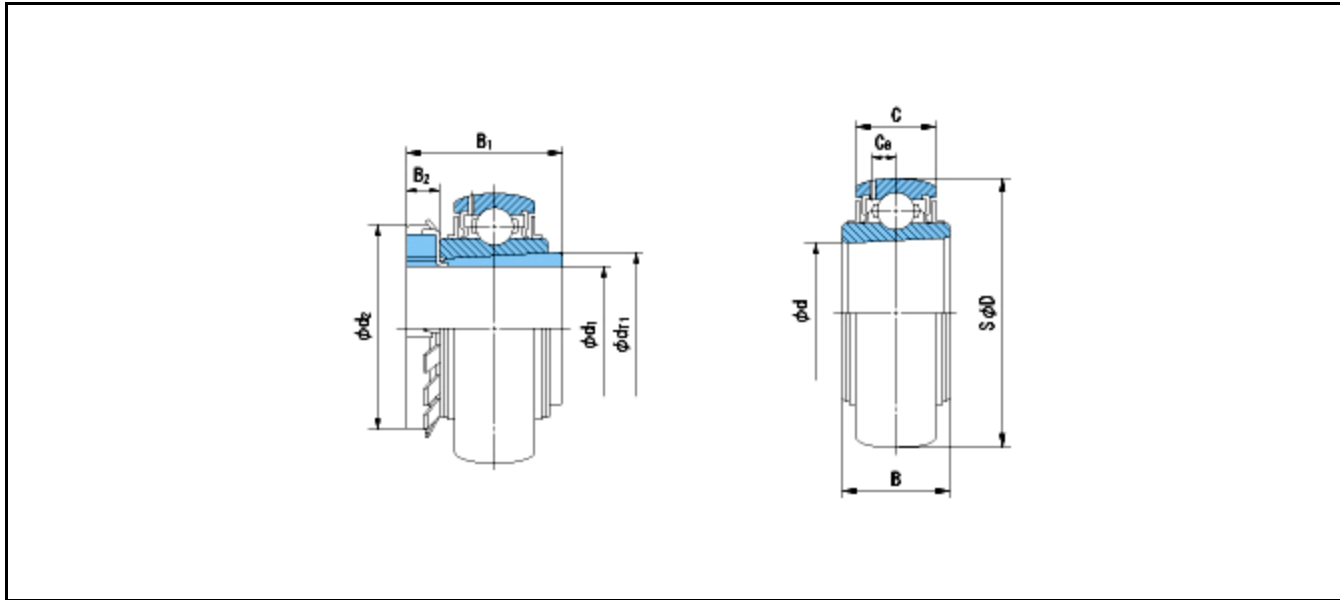
d1 = 30

d2 = 52

dT1 = 38

B1 = 43

B2 = 9



Dimensions

D = 80

d = 35

B = 31

C = 25

Ca = 7.4

Mass = 0.74 kg

Basic Dynamic Load Rating Cr :	<b>33500 N</b>		<b>INNER RING</b>	<b>OUTER RING</b>
Basic Static Load Rating Cor :	<b>19200 N</b>	O.D.Surface Runout with Side :		-
Limiting Speed ;		Axial Runout with Bore :	-	-
Grease Lubrication :	- rpm	Axial Runout with Raceway :	-	-
Oil Lubrication :	- rpm	Width Variation :	-	-
		Radial Runout :	-	-