

ROECO

# Bearing Data

## Ball Bearing Units

Bearing No. : **UK305+H2305**

Dimensions

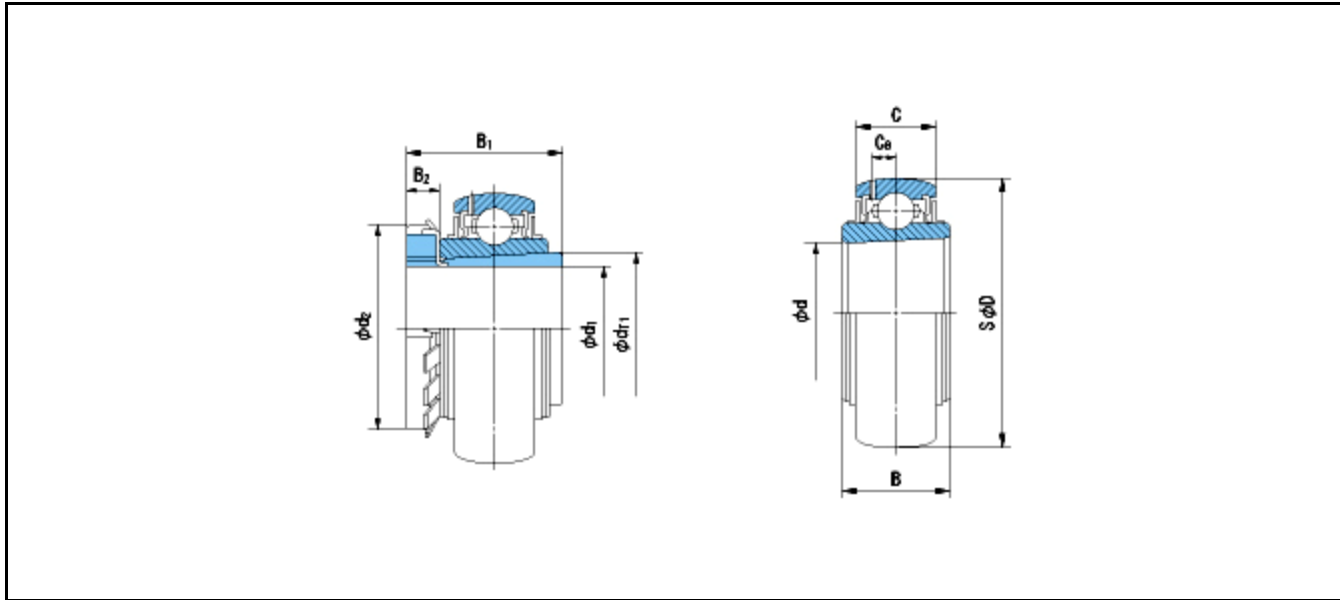
d1 = 20

d2 = 38

dT1 = 27.5

B1 = 35

B2 = 8



Dimensions

D = 62

d = 25

B = 26

C = 21

Ca = 6.1

Mass = 0.48 kg

Basic Dynamic Load Rating Cr :	21300 N	INNER RING	OUTER RING
Basic Static Load Rating Cor :	10900 N	O.D.Surface Runout with Side :	-
Limiting Speed ;		Axial Runout with Bore :	-
Grease Lubrication :	- rpm	Axial Runout with Raceway :	-
Oil Lubrication :	- rpm	Width Variation :	-
		Radial Runout :	-