

ROECO

Bearing Data

Ball Bearing Units

Bearing No. : **UK218+H2318**

Dimensions

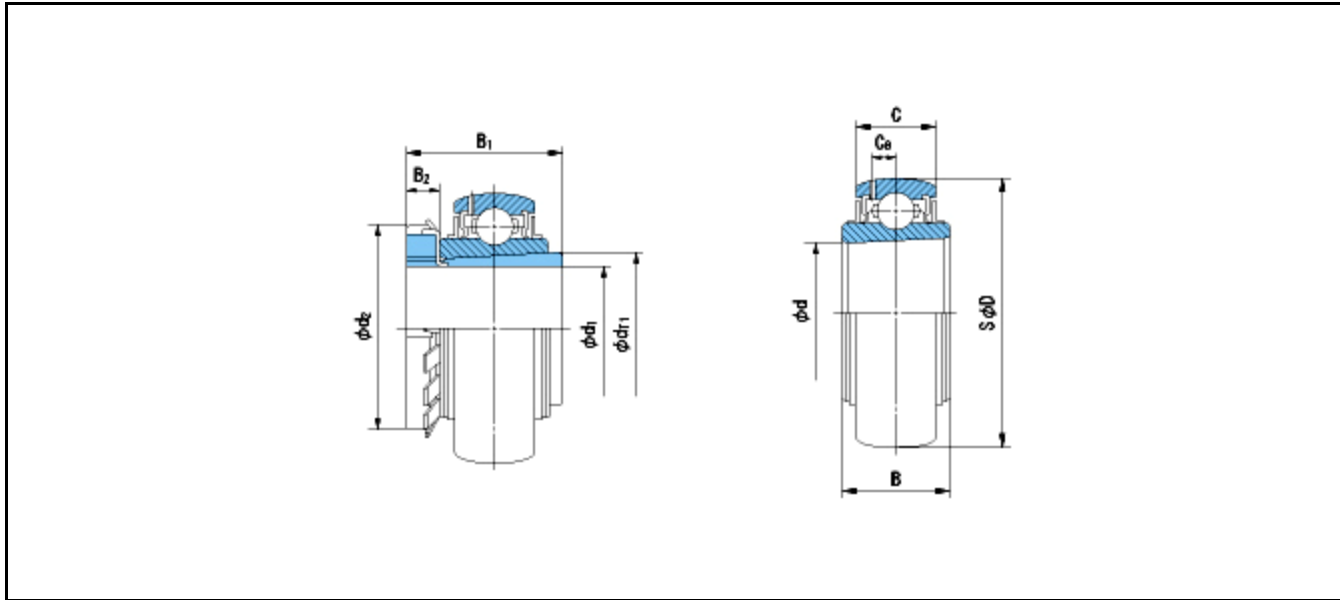
d1 = 80

d2 = 120

dT1 = 96

B1 = 86

B2 = 18



Dimensions

D = 160

d = 90

B = 49

C = 36

Ca = 11.1

Mass = 4.68 kg

Basic Dynamic Load Rating Cr :	95500 N		INNER RING	OUTER RING
Basic Static Load Rating Cor :	71400 N	O.D.Surface Runout with Side :		-
Limiting Speed ;		Axial Runout with Bore :	-	-
Grease Lubrication :	- rpm	Axial Runout with Raceway :	-	-
Oil Lubrication :	- rpm	Width Variation :	-	-
		Radial Runout :	-	-