

ROECO

Bearing Data

Ball Bearing Units

Bearing No. : **UK216+H2316**

Dimensions

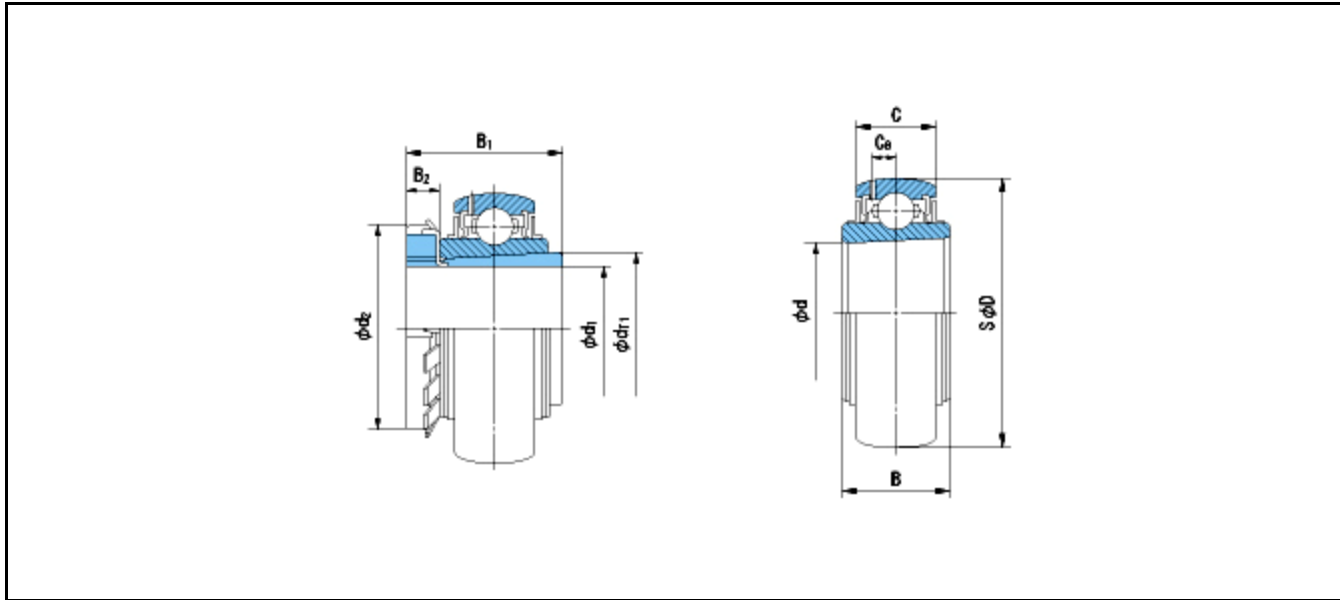
d1 = 70

d2 = 105

dT1 = 85.5

B1 = 78

B2 = 17



Dimensions

D = 140

d = 80

B = 44

C = 32

Ca = 9.6

Mass = 3.27 kg

Basic Dynamic Load Rating Cr :	72500 N	INNER RING	OUTER RING
Basic Static Load Rating Cor :	53000 N	O.D.Surface Runout with Side :	-
Limiting Speed ;		Axial Runout with Bore :	-
Grease Lubrication :	- rpm	Axial Runout with Raceway :	-
Oil Lubrication :	- rpm	Width Variation :	-
		Radial Runout :	-