

ROECO

Bearing Data

Ball Bearing Units

Bearing No. : **UK212+H2312**

Dimensions

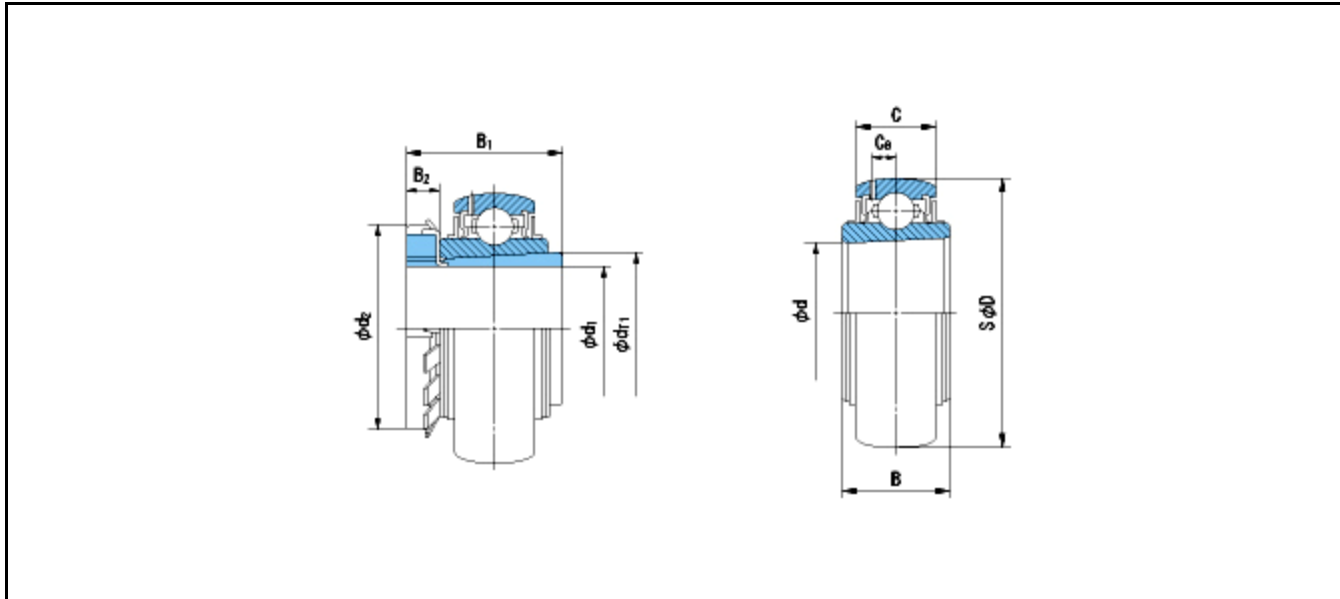
d1 = 55

d2 = 80

dT1 = 64.5

B1 = 62

B2 = 13



Dimensions

D = 110

d = 60

B = 36

C = 26

Ca = 7.7

Mass = 1.47 kg

Basic Dynamic Load Rating Cr :	52500 N		INNER RING	OUTER RING
Basic Static Load Rating Cor :	36100 N	O.D.Surface Runout with Side :		-
Limiting Speed ;		Axial Runout with Bore :	-	-
Grease Lubrication :	- rpm	Axial Runout with Raceway :	-	-
Oil Lubrication :	- rpm	Width Variation :	-	-
		Radial Runout :	-	-