

ROECO

Bearing Data

Ball Bearing Units

Bearing No. : **UK210+H2310**

Dimensions

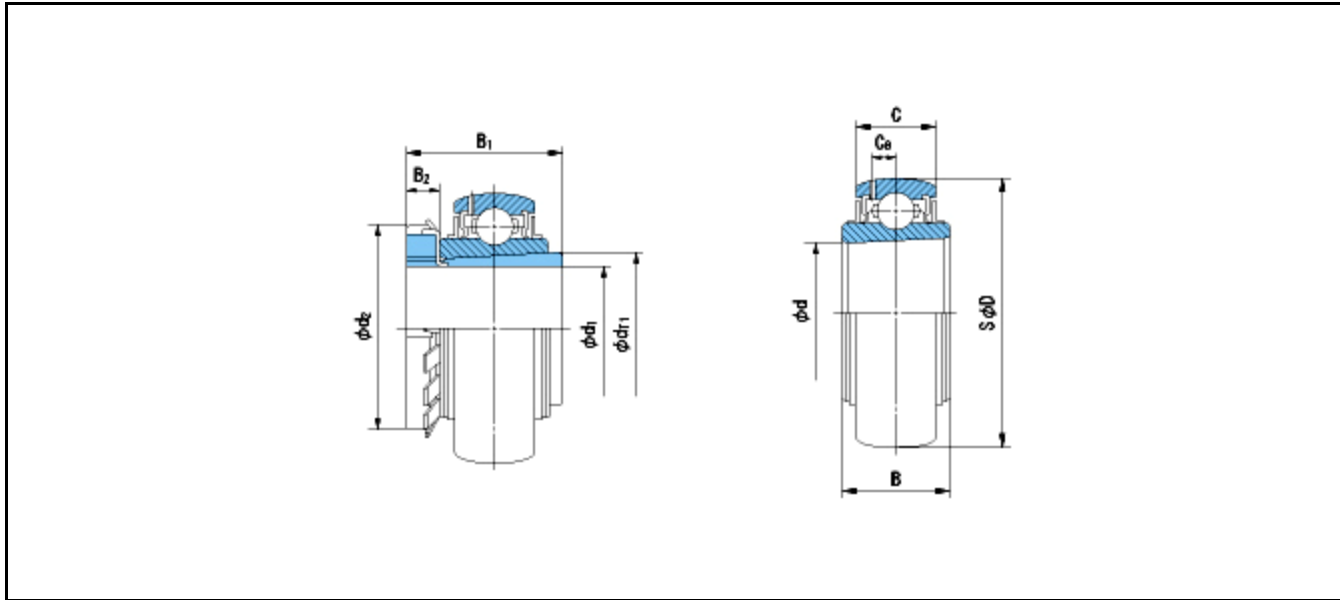
d1 = 45

d2 = 70

dT1 = 54

B1 = 55

B2 = 12



Dimensions

D = 90

d = 50

B = 31

C = 23

Ca = 6.5

Mass = 0.93 kg

Basic Dynamic Load Rating Cr :	35500 N		INNER RING	OUTER RING
Basic Static Load Rating Cor :	23200 N	O.D.Surface Runout with Side :	-	-
Limiting Speed ;		Axial Runout with Bore :	-	-
Grease Lubrication :	- rpm	Axial Runout with Raceway :	-	-
Oil Lubrication :	- rpm	Width Variation :	-	-
		Radial Runout :	-	-