

ROECO

Bearing Data

Ball Bearing Units

Bearing No. : **UK208+H2308**

Dimensions

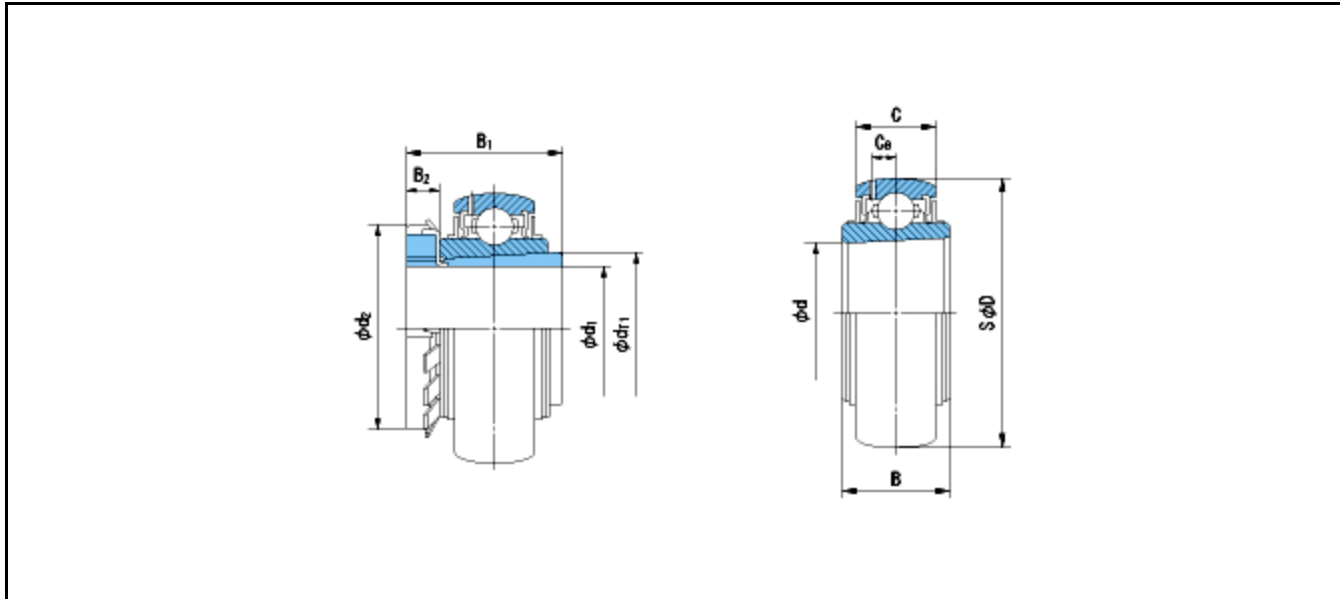
d1 = 35

d2 = 58

dT1 = 43

B1 = 46

B2 = 10



Dimensions

D = 80

d = 40

B = 29

C = 21

Ca = 6.2

Mass = 0.69 kg

Basic Dynamic Load Rating Cr :	29300 N	INNER RING	OUTER RING
Basic Static Load Rating Cor :	17900 N	O.D.Surface Runout with Side :	-
Limiting Speed ;		Axial Runout with Bore :	-
Grease Lubrication :	- rpm	Axial Runout with Raceway :	-
Oil Lubrication :	- rpm	Width Variation :	-
		Radial Runout :	-