

ROECO

Bearing Data

Ball Bearing Units

Bearing No. : **UK206+H2306**

Dimensions

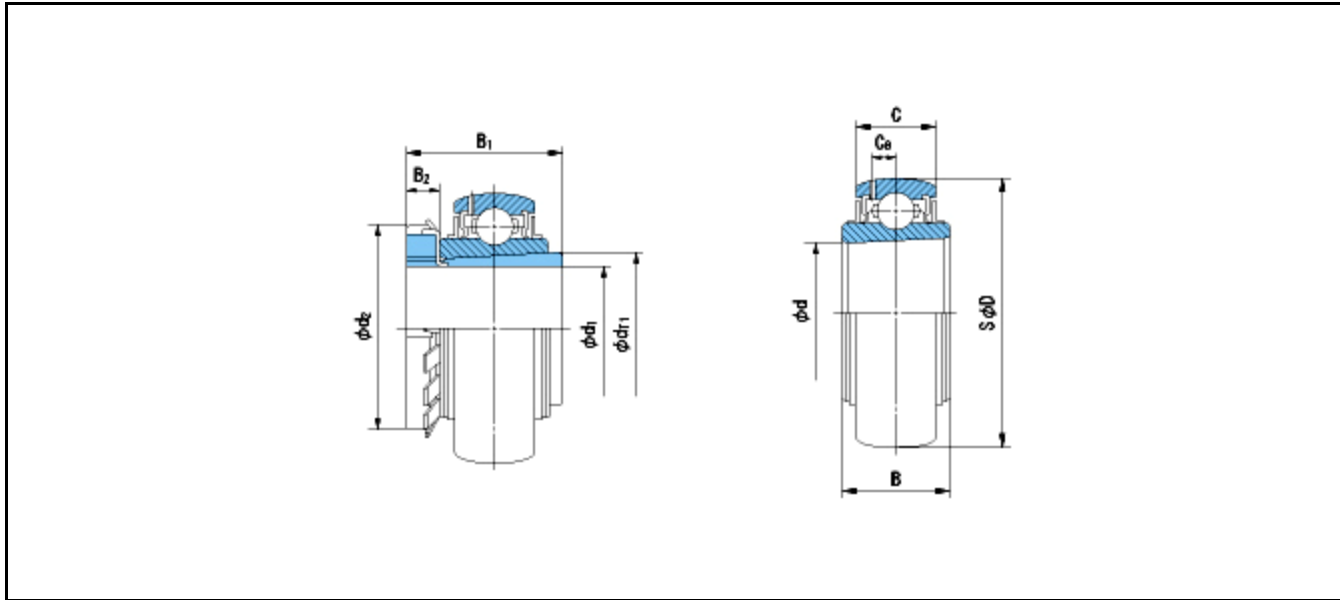
d1 = 25

d2 = 45

dT1 = 32.5

B1 = 38

B2 = 8



Dimensions

D = 62

d = 30

B = 26

C = 19

Ca = 5.1

Mass = 0.4 kg

Basic Dynamic Load Rating Cr :	19600 N		INNER RING	OUTER RING
Basic Static Load Rating Cor :	11300 N	O.D.Surface Runout with Side :	-	-
Limiting Speed ;		Axial Runout with Bore :	-	-
Grease Lubrication :	- rpm	Axial Runout with Raceway :	-	-
Oil Lubrication :	- rpm	Width Variation :	-	-
		Radial Runout :	-	-