

ROECO

Bearing Data

Ball Bearing Units

Bearing No. : **UK205+H2305**

Dimensions

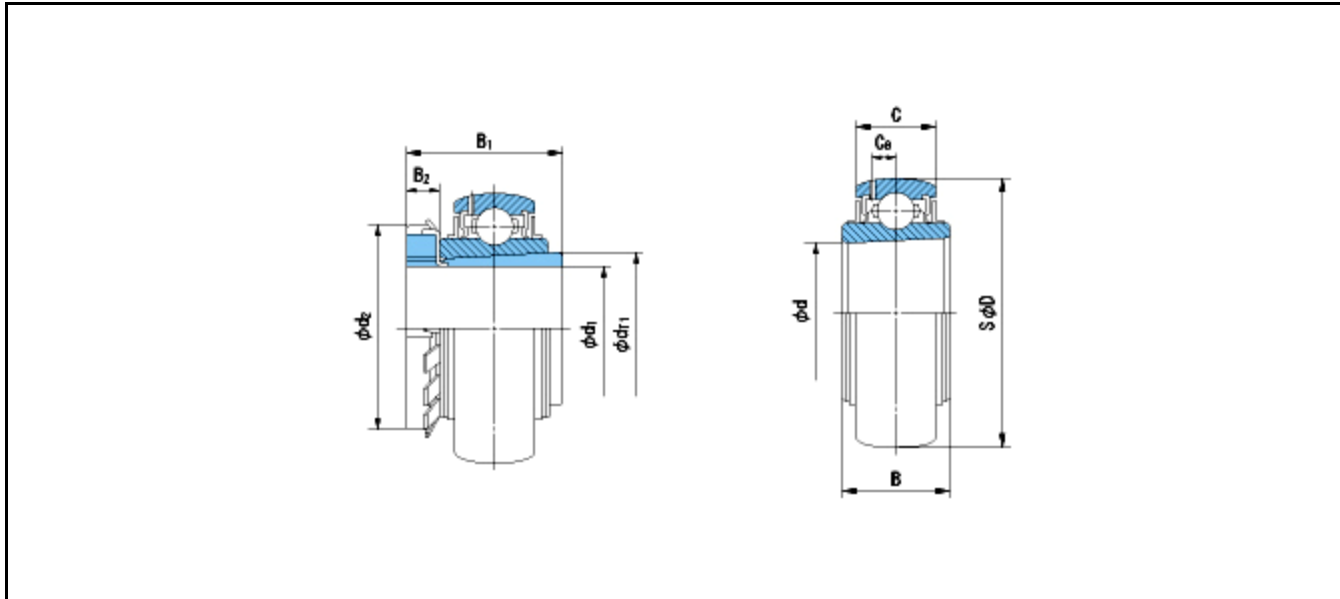
d1 = 20

d2 = 38

dT1 = 27.5

B1 = 35

B2 = 8



Dimensions

D = 52

d = 25

B = 23

C = 17

Ca = 4.5

Mass = 0.24 kg

Basic Dynamic Load Rating Cr :	14000 N				
Basic Static Load Rating Cor :	7900 N	O.D.Surface Runout with Side :			-
Limiting Speed ;		Axial Runout with Bore :			-
Grease Lubrication :	- rpm	Axial Runout with Raceway :			-
Oil Lubrication :	- rpm	Width Variation :			-
		Radial Runout :			-