

ROECO

Bearing Data

Ball Bearing Units

Bearing No. : **UFL08**

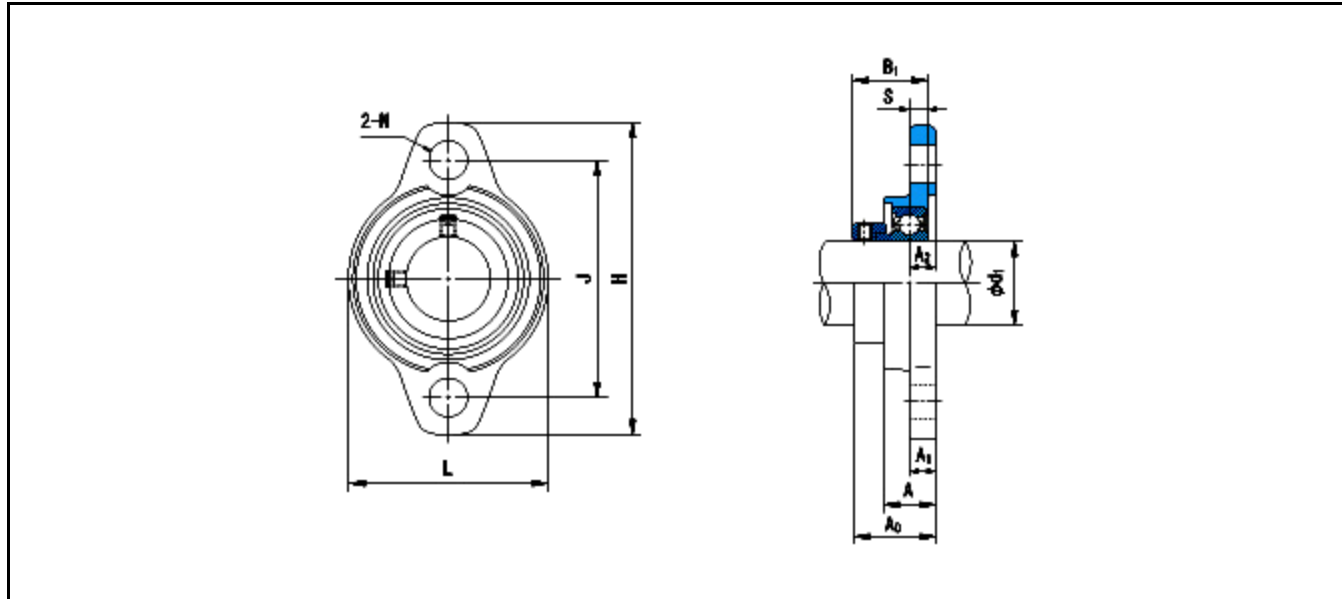
Dimensions

H = 48

L = 27

J = 37

N = 4.8



Dimensions

d1 = 8

A1 = 4

A2 = 4.5

A = 8.5

A0 = 16

B1 = 15

S = 3.5

Mass = 30 kg

Basic Dynamic Load Rating Cr :	3300 N			
Basic Static Load Rating Cor :	1360 N	O.D.Surface Runout with Side :		-
Limiting Speed ;		Axial Runout with Bore :		-
Grease Lubrication :	- rpm	Axial Runout with Raceway :		-
Oil Lubrication :	- rpm	Width Variation :		-
		Radial Runout :		-