

ROECO

# Bearing Data

## Ball Bearing Units

Bearing No. : **UFL006**

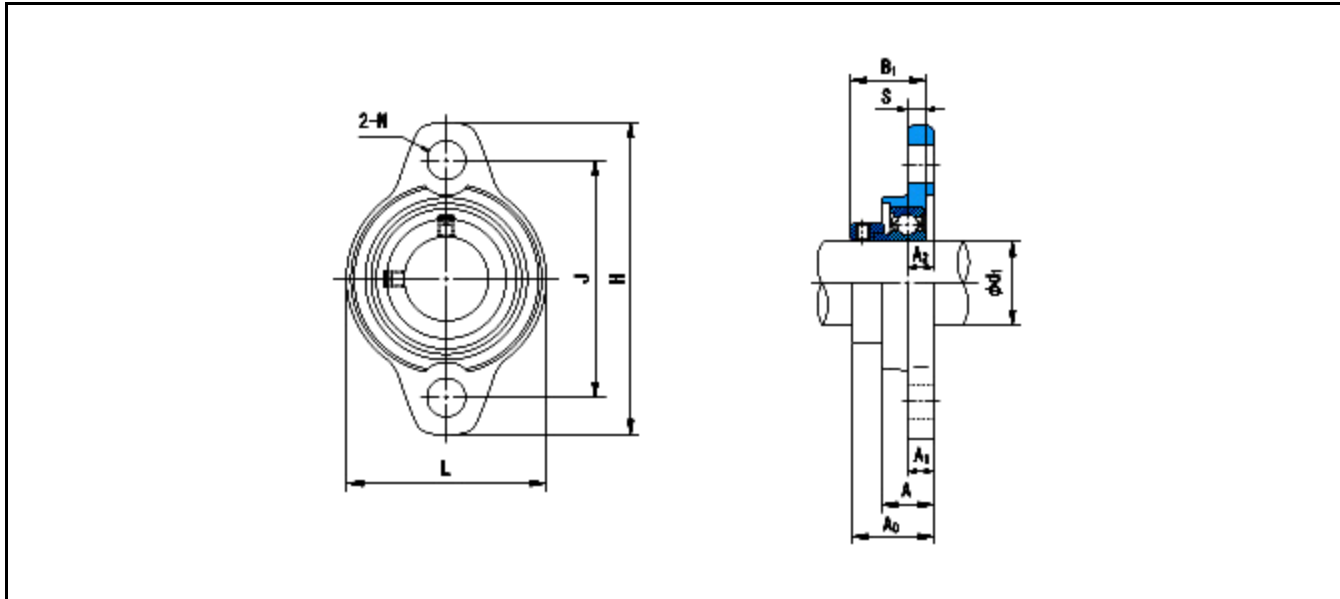
Dimensions

H = 112

L = 70

J = 85

N = 13



Dimensions

d1 = 30

A1 = 9

A2 = 9

A = 18

A0 = 29

B1 = 26.5

S = 6.5

Mass = 354 kg

<b>Basic Dynamic Load Rating Cr :</b>	<b>13200 N</b>		
<b>Basic Static Load Rating Cor :</b>	<b>8300 N</b>		
<b>Limiting Speed ;</b>			
<b>Grease Lubrication :</b>	- rpm		
<b>Oil Lubrication :</b>	- rpm		
		<b>INNER RING</b>	<b>OUTER RING</b>
		<b>O.D.Surface Runout with Side :</b>	-
		<b>Axial Runout with Bore :</b>	-
		<b>Axial Runout with Raceway :</b>	-
		<b>Width Variation :</b>	-
		<b>Radial Runout :</b>	-