

ROECO

# Bearing Data

## Ball Bearing Units

Bearing No. : **UFL004**

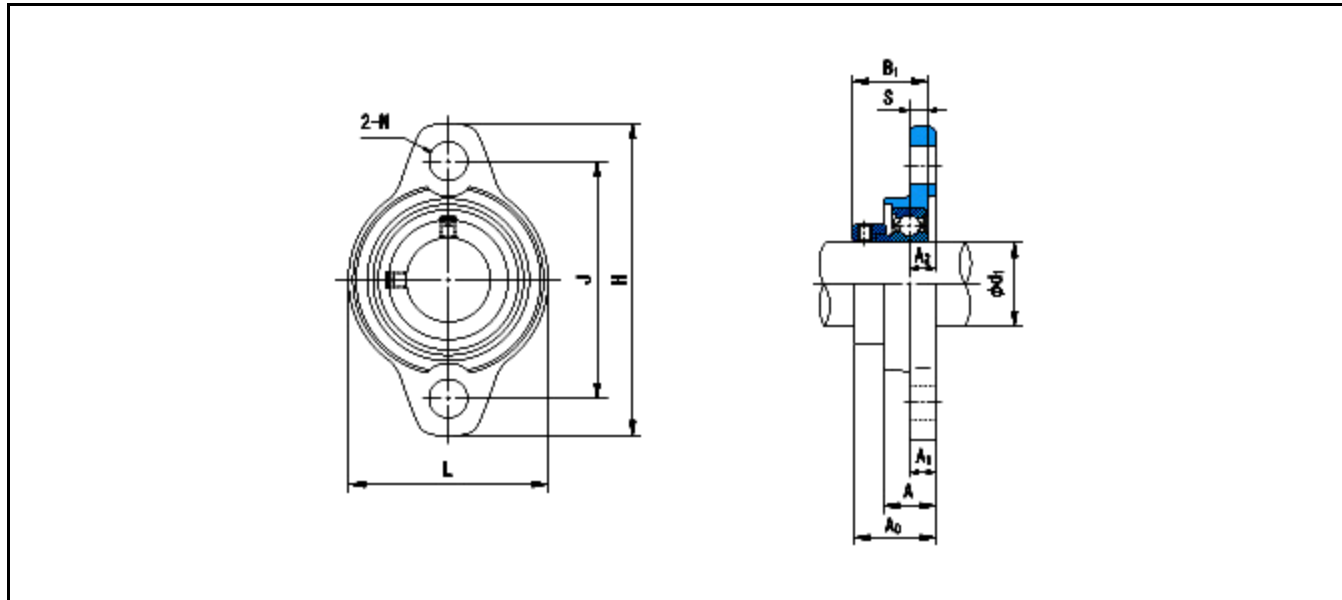
Dimensions

H = 90

L = 55

J = 71

N = 10



Dimensions

d1 = 20

A1 = 8

A2 = 8

A = 16

A0 = 26.5

B1 = 24.5

S = 6

Mass = 205 kg

<b>Basic Dynamic Load Rating Cr :</b>	<b>9350 N</b>	<b>INNER RING</b>	<b>OUTER RING</b>
<b>Basic Static Load Rating Cor :</b>	<b>5100 N</b>	<b>O.D.Surface Runout with Side :</b>	-
<b>Limiting Speed ;</b>		<b>Axial Runout with Bore :</b>	-
<b>Grease Lubrication :</b>	- rpm	<b>Axial Runout with Raceway :</b>	-
<b>Oil Lubrication :</b>	- rpm	<b>Width Variation :</b>	-
		<b>Radial Runout :</b>	-