

ROECO

Bearing Data

Ball Bearing Units

Bearing No. : **UFL002**

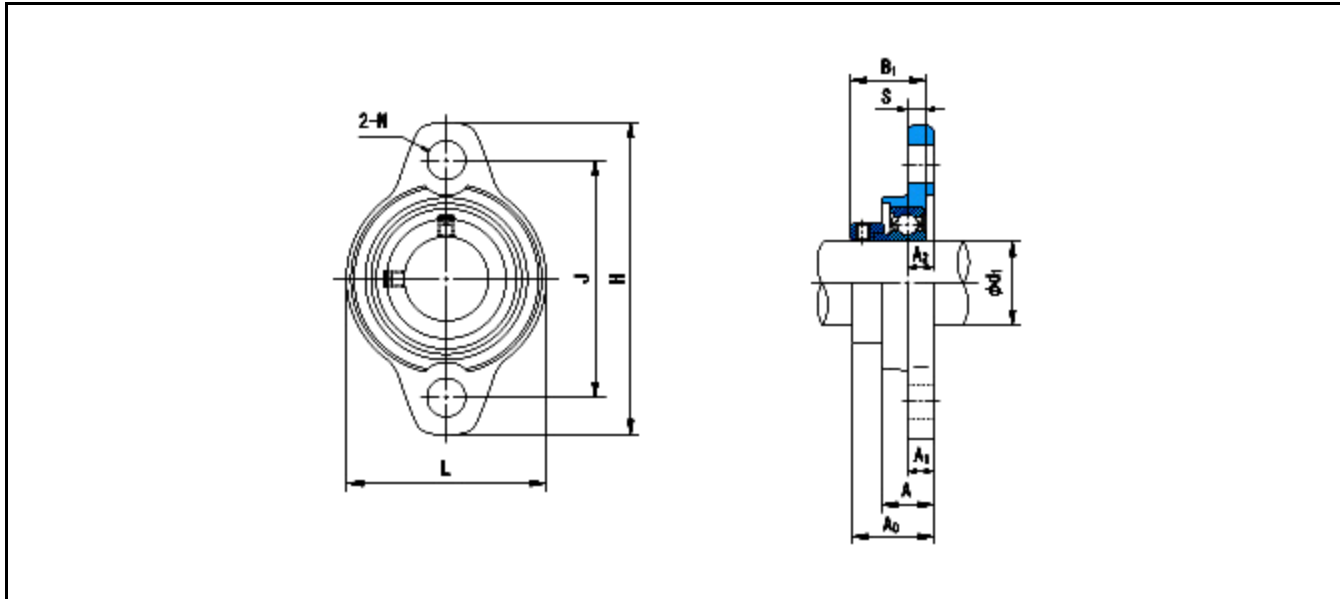
Dimensions

H = 67

L = 42

J = 53

N = 7



Dimensions

d1 = 15

A1 = 6.5

A2 = 6.5

A = 13

A0 = 20.5

B1 = 18.5

S = 4.5

Mass = 100 kg

Basic Dynamic Load Rating Cr : **5600 N**

Basic Static Load Rating Cor : **2800 N**

Limiting Speed ;

Grease Lubrication : - rpm

Oil Lubrication : - rpm

INNER RING OUTER RING

O.D.Surface Runout with Side : -

Axial Runout with Bore : -

Axial Runout with Raceway : -

Width Variation : -

Radial Runout : -