

ROECO

Bearing Data

Ball Bearing Units

Bearing No. : **UFL001**

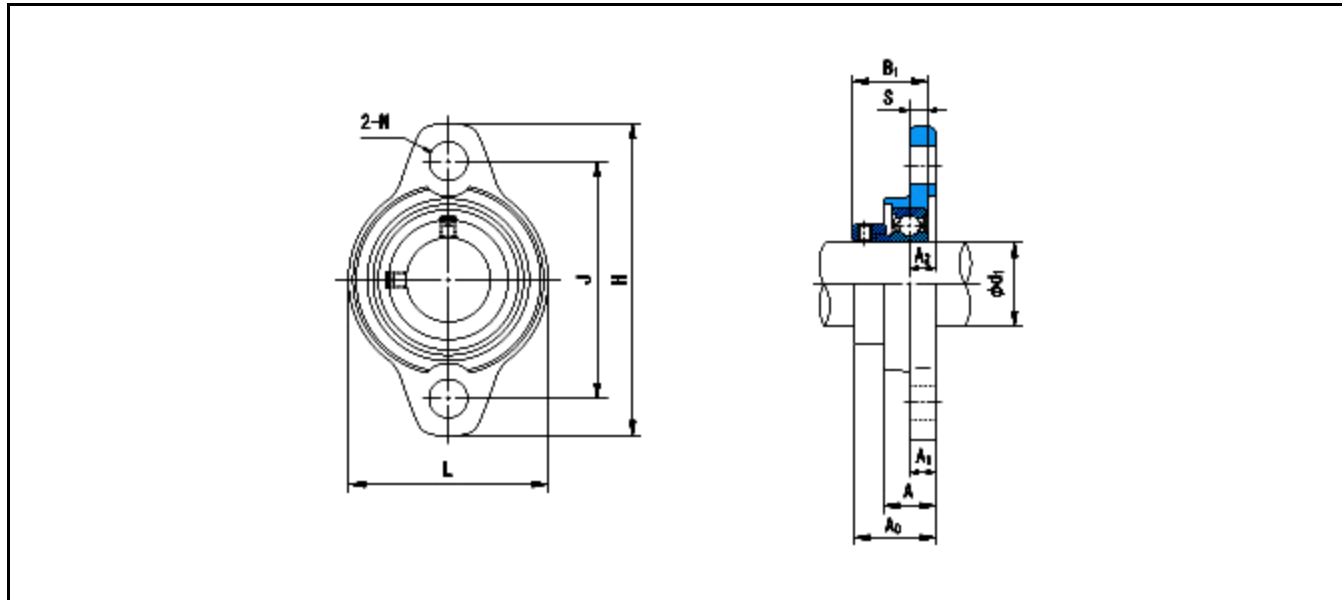
Dimensions

H = 63

L = 38

J = 48

N = 7



Dimensions

d1 = 12

A1 = 5.5

A2 = 5.5

A = 11.5

A0 = 19

B1 = 17.5

S = 4

Mass = 76 kg

| | | | | |
|--------------------------------|---------------|--------------------------------|--|---|
| Basic Dynamic Load Rating Cr : | 5100 N | | | |
| Basic Static Load Rating Cor : | 2400 N | O.D.Surface Runout with Side : | | - |
| Limiting Speed ; | | Axial Runout with Bore : | | - |
| Grease Lubrication : | - rpm | Axial Runout with Raceway : | | - |
| Oil Lubrication : | - rpm | Width Variation : | | - |
| | | Radial Runout : | | - |