

ROECO

Bearing Data

Ball Bearing Units

Bearing No. : **UFL000**

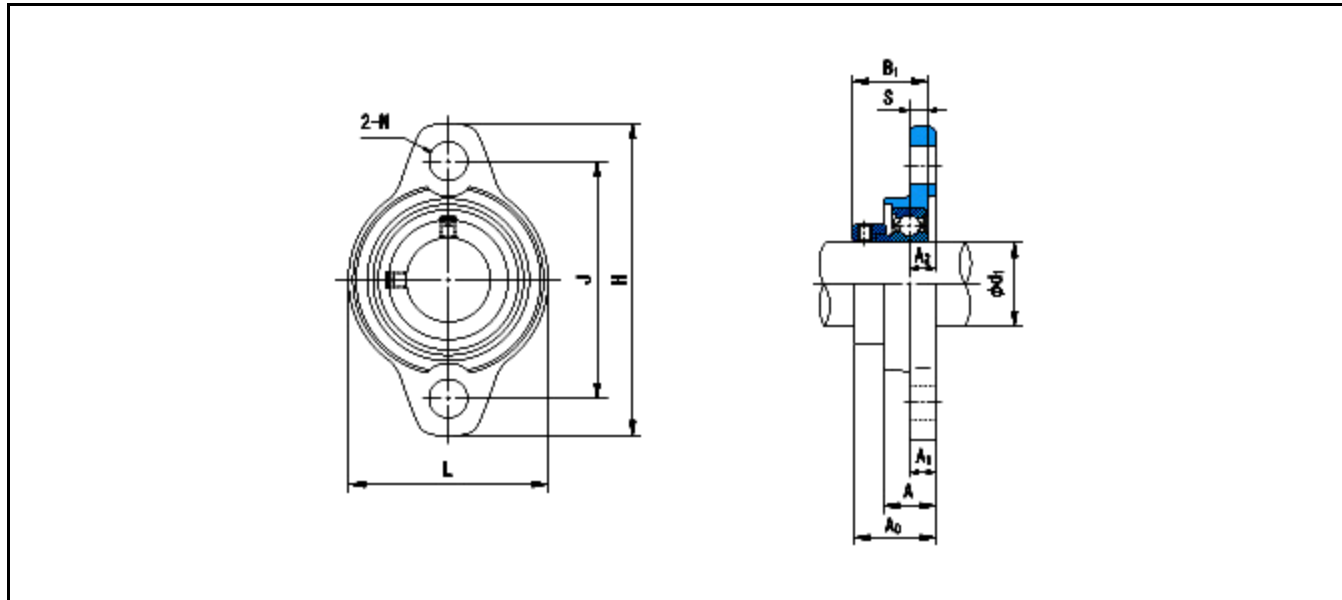
Dimensions

H = 60

L = 36

J = 45

N = 7



Dimensions

d1 = 10

A1 = 5.5

A2 = 5.5

A = 11.5

A0 = 19

B1 = 17.5

S = 4

Mass = 60 kg

Basic Dynamic Load Rating Cr :	4600 N	INNER RING OUTER RING	
Basic Static Load Rating Cor :	2000 N	O.D.Surface Runout with Side :	-
Limiting Speed ;		Axial Runout with Bore :	-
Grease Lubrication :	- rpm	Axial Runout with Raceway :	-
Oil Lubrication :	- rpm	Width Variation :	-
		Radial Runout :	-