

ROECO

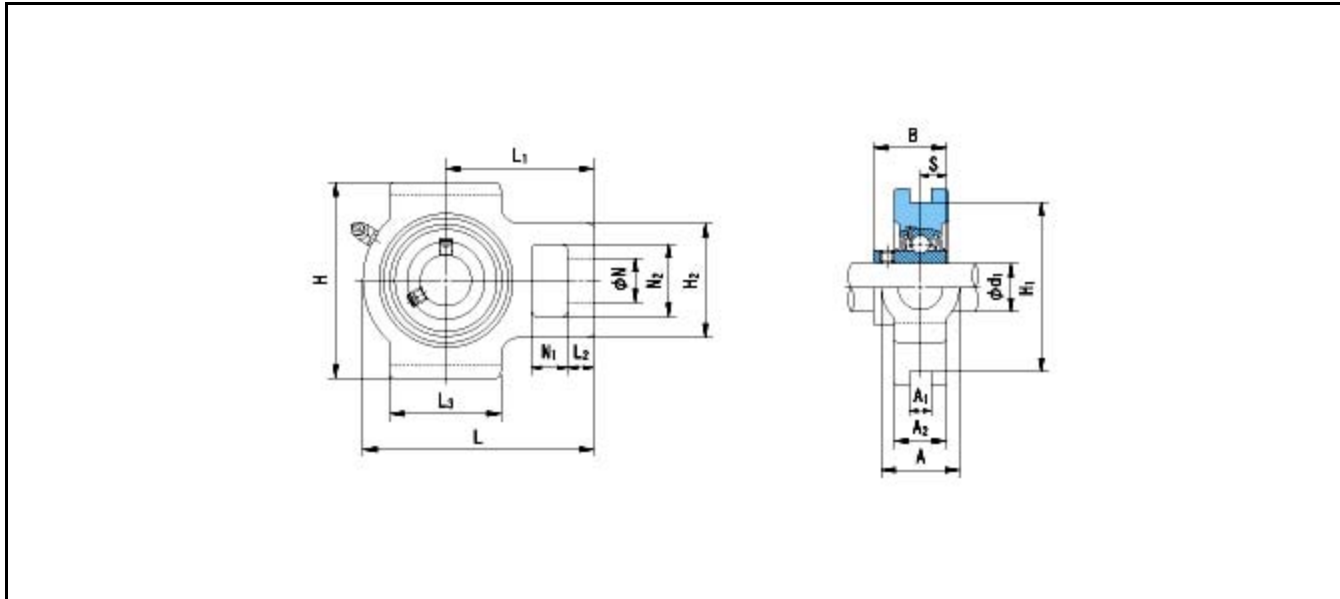
Bearing Data

Ball Bearing Units

Bearing No. : **UCTX17**

Dimensions

- H = 198
- H2 = 124
- L = 260
- L1 = 162
- L2 = 28
- L3 = 157
- N = 48
- N1 = 38
- N2 = 73



Dimensions

- d1 = 85
- A1 = 28
- A2 = 54
- A = 73
- H1 = 173
- B = 96
- S = 39.7
- Mass = 11 kg

Basic Dynamic Load Rating Cr :	95500 N		
Basic Static Load Rating Cor :	71400 N	O.D.Surface Runout with Side :	-
Limiting Speed ;		Axial Runout with Bore :	-
Grease Lubrication :	- rpm	Axial Runout with Raceway :	-
Oil Lubrication :	- rpm	Width Variation :	-
		Radial Runout :	-

INNER RING OUTER RING