

ROECO

Bearing Data

Ball Bearing Units

Bearing No. : **UCTX14**

Dimensions

H = 167

H2 = 111

L = 232

L1 = 140

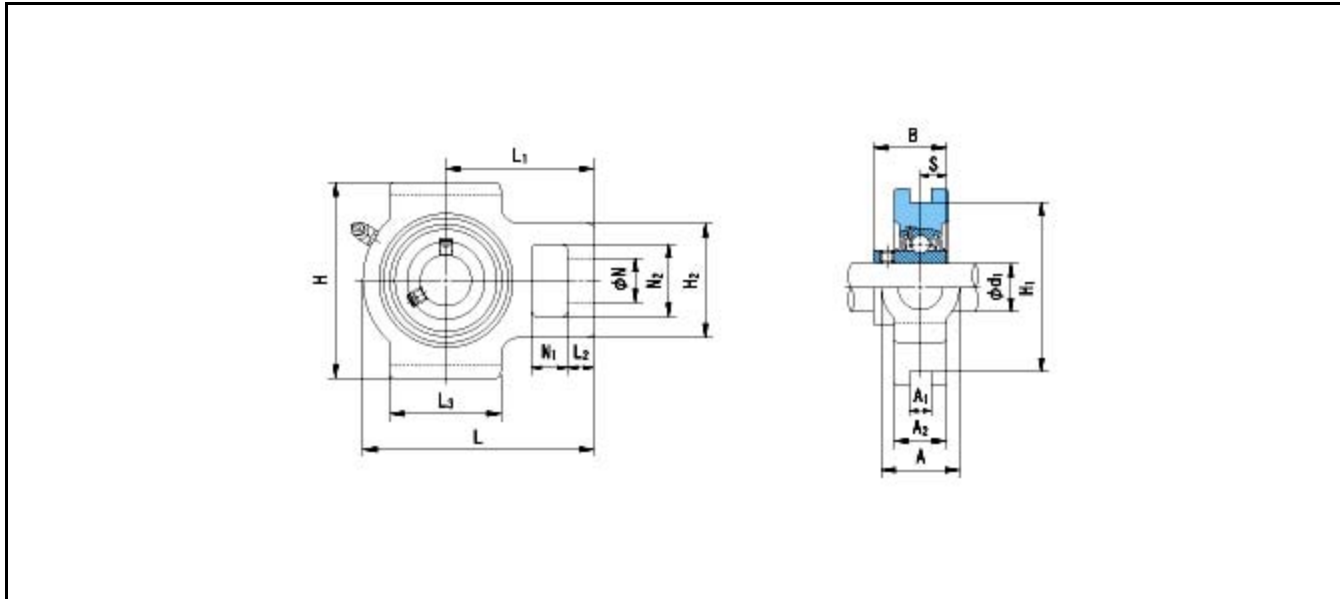
L2 = 21

L3 = 121

N = 41

N1 = 32

N2 = 70



Dimensions

d1 = 70

A1 = 26

A2 = 48

A = 70

H1 = 151

B = 77.8

S = 33.3

Mass = 7.7 kg

Basic Dynamic Load Rating Cr :	66000 N				
Basic Static Load Rating Cor :	48200 N	O.D.Surface Runout with Side :			-
Limiting Speed ;		Axial Runout with Bore :			-
Grease Lubrication :	- rpm	Axial Runout with Raceway :			-
Oil Lubrication :	- rpm	Width Variation :			-
		Radial Runout :			-