

ROECO

Bearing Data

Ball Bearing Units

Bearing No. : **UCTX10**

Dimensions

H = 146

H2 = 102

L = 171

L1 = 106

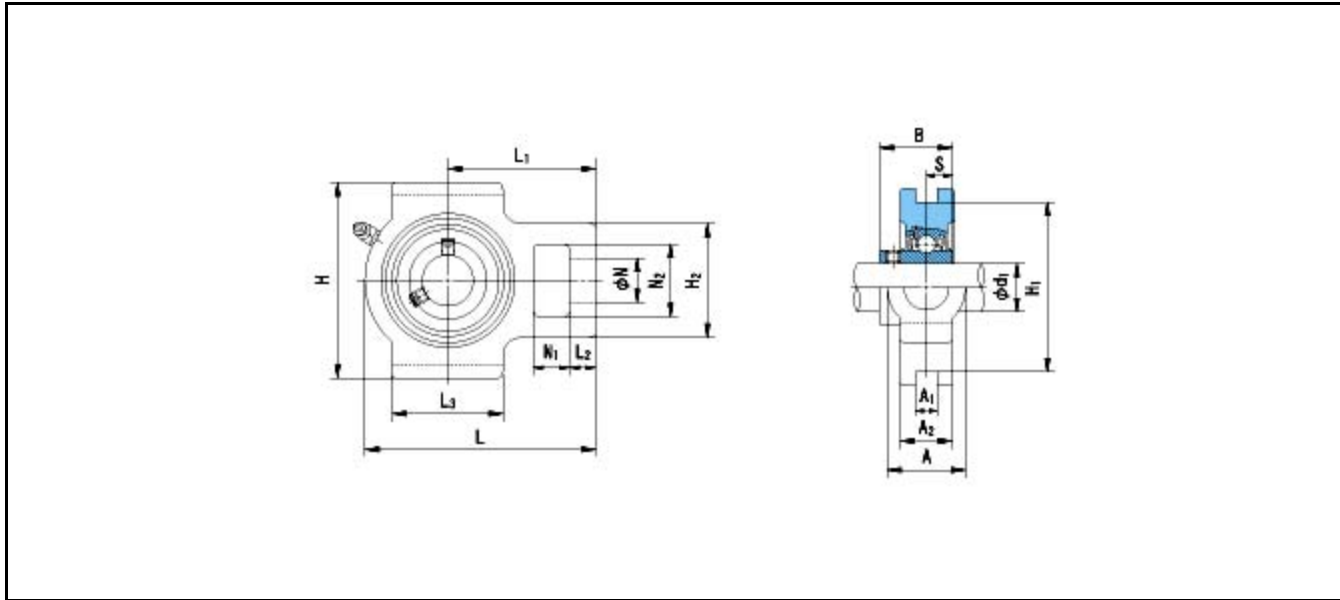
L2 = 19

L3 = 95

N = 35

N1 = 25

N2 = 64



Dimensions

d1 = 50

A1 = 22

A2 = 42

A = 64

H1 = 130

B = 55.6

S = 22.2

Mass = 4.4 kg

Basic Dynamic Load Rating Cr : **43000 N**

Basic Static Load Rating Cor : **29400 N**

Limiting Speed ;

Grease Lubrication : - rpm

Oil Lubrication : - rpm

INNER RING OUTER RING

O.D.Surface Runout with Side : -

Axial Runout with Bore : -

Axial Runout with Raceway : -

Width Variation : -

Radial Runout : -