

ROECO

Bearing Data

Ball Bearing Units

Bearing No. : **UCTX07**

Dimensions

H = 114

H2 = 83

L = 144

L1 = 88

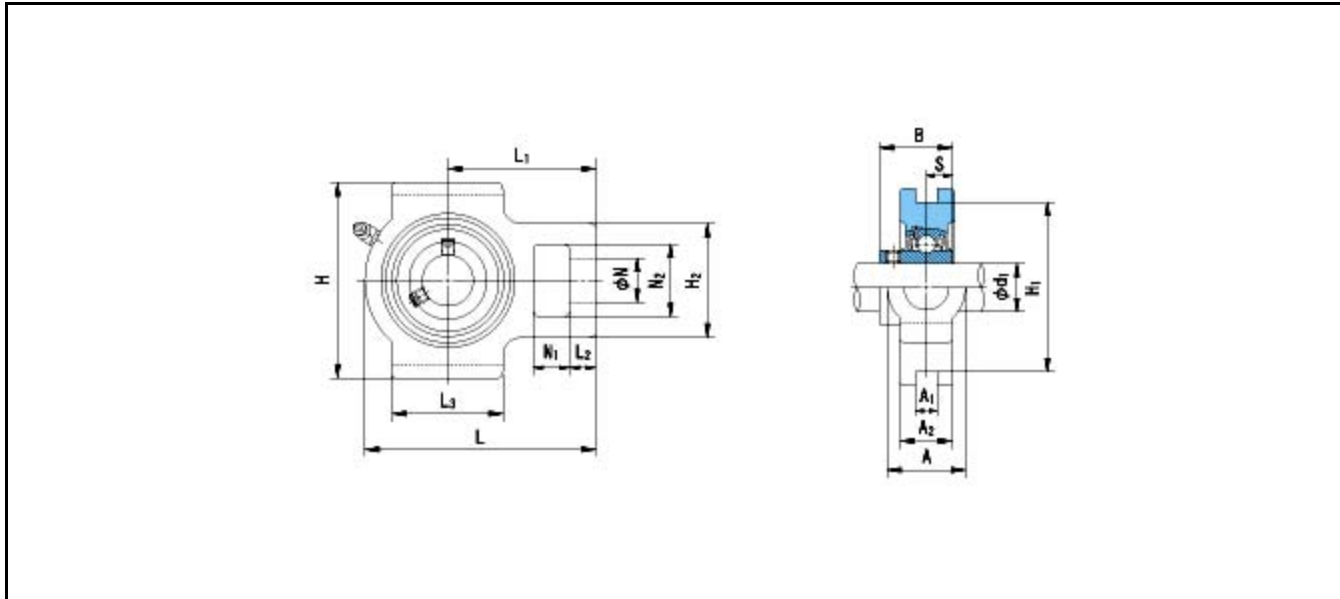
L2 = 15

L3 = 83

N = 29

N1 = 19

N2 = 49



Dimensions

d1 = 35

A1 = 16

A2 = 36

A = 49

H1 = 102

B = 49.2

S = 19

Mass = 2.6 kg

Basic Dynamic Load Rating Cr :	29300 N	INNER RING	OUTER RING
Basic Static Load Rating Cor :	17900 N	O.D.Surface Runout with Side :	-
Limiting Speed ;		Axial Runout with Bore :	-
Grease Lubrication :	- rpm	Axial Runout with Raceway :	-
Oil Lubrication :	- rpm	Width Variation :	-
		Radial Runout :	-