

ROECO

# Bearing Data

## Ball Bearing Units

Bearing No. : **UCTX06**

### Dimensions

H = 102

H2 = 64

L = 129

L1 = 78

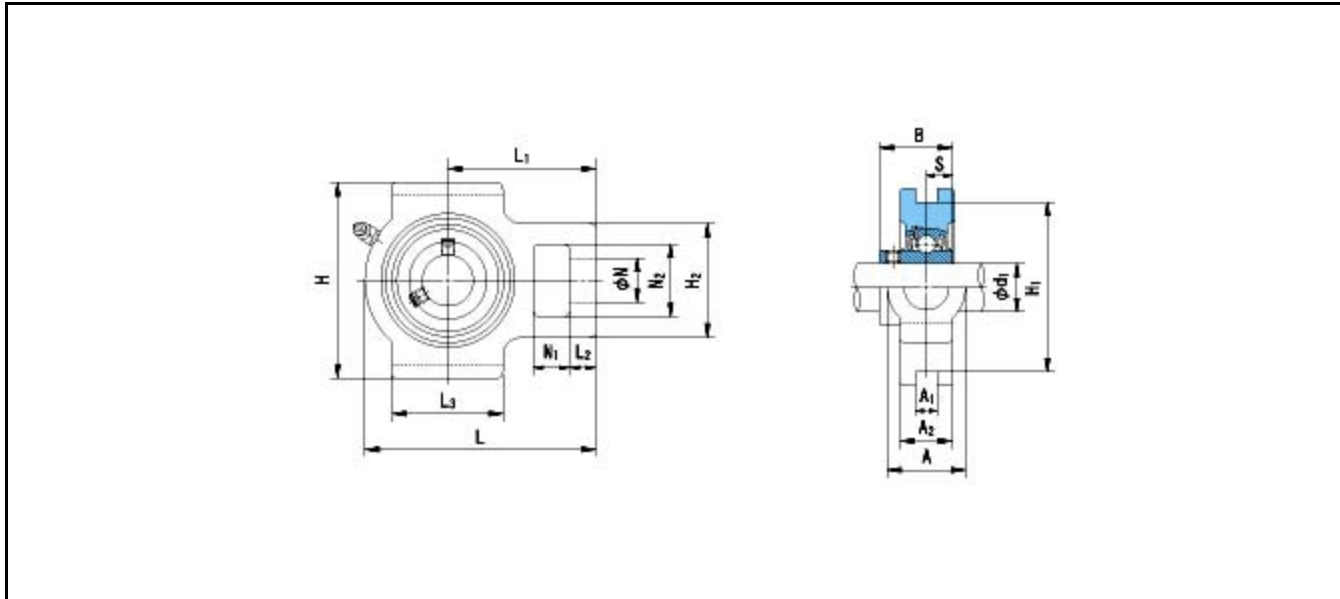
L2 = 13

L3 = 64

N = 22

N1 = 16

N2 = 37



### Dimensions

d1 = 30

A1 = 12

A2 = 30

A = 37

H1 = 89

B = 42.9

S = 17.5

Mass = 1.6 kg

Basic Dynamic Load Rating Cr :	<b>25900 N</b>	INNER RING	OUTER RING
Basic Static Load Rating Cor :	<b>15400 N</b>	O.D.Surface Runout with Side :	-
Limiting Speed ;		Axial Runout with Bore :	-
Grease Lubrication :	- rpm	Axial Runout with Raceway :	-
Oil Lubrication :	- rpm	Width Variation :	-
		Radial Runout :	-