

ROECO

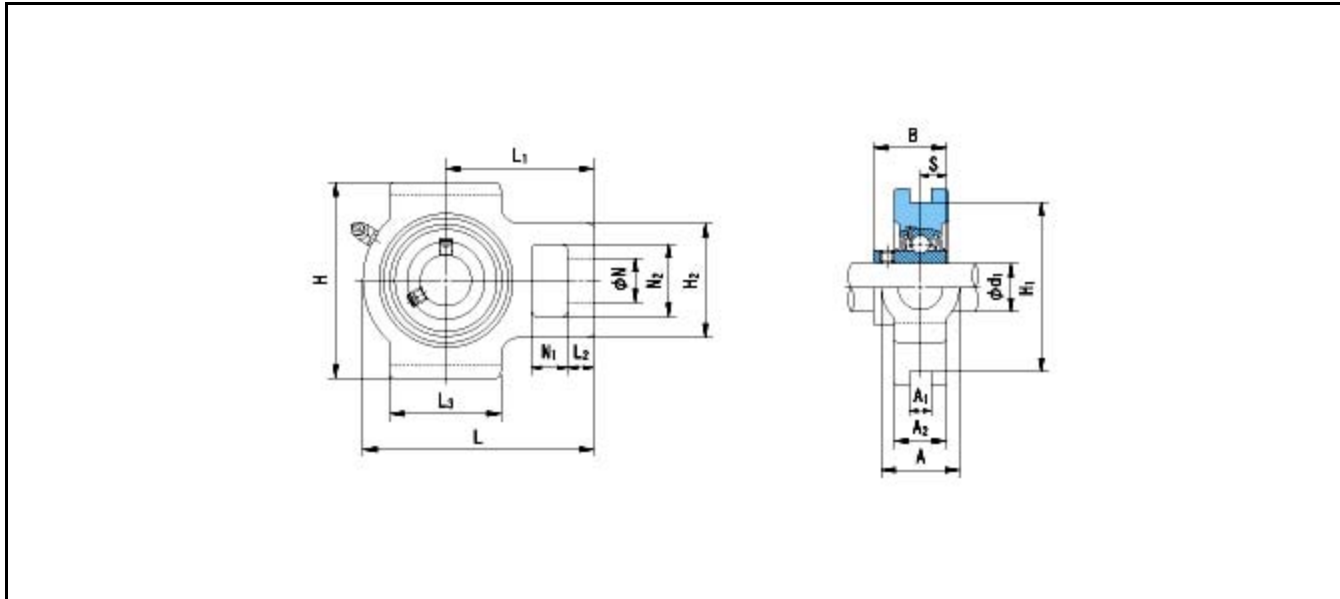
# Bearing Data

## Ball Bearing Units

Bearing No. : **UCT326**

Dimensions

- H = 385
- H2 = 220
- L = 465
- L1 = 285
- L2 = 45
- L3 = 240
- N = 75
- N1 = 65
- N2 = 150



Dimensions

- d1 = 130
- A1 = 50
- A2 = 100
- A = 150
- H1 = 350
- B = 135
- S = 54
- Mass = 68.4 kg

<b>Basic Dynamic Load Rating Cr :</b>	<b>229000 N</b>		
<b>Basic Static Load Rating Cor :</b>	<b>214300 N</b>	<b>O.D.Surface Runout with Side :</b>	<b>-</b>
<b>Limiting Speed ;</b>		<b>Axial Runout with Bore :</b>	<b>-</b>
<b>Grease Lubrication :</b>	<b>- rpm</b>	<b>Axial Runout with Raceway :</b>	<b>-</b>
<b>Oil Lubrication :</b>	<b>- rpm</b>	<b>Width Variation :</b>	<b>-</b>
		<b>Radial Runout :</b>	<b>-</b>

**INNER RING OUTER RING**