

ROECO

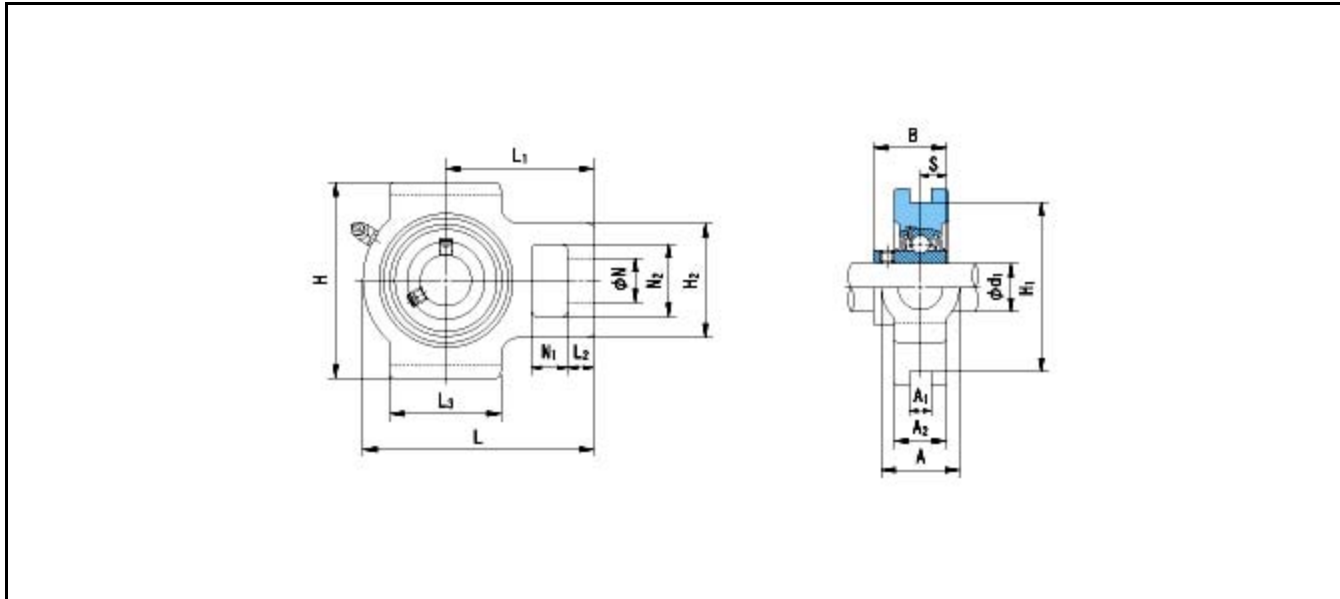
Bearing Data

Ball Bearing Units

Bearing No. : **UCT322**

Dimensions

- H = 320
- H2 = 185
- L = 385
- L1 = 235
- L2 = 38
- L3 = 215
- N = 65
- N1 = 52
- N2 = 125



Dimensions

- d1 = 110
- A1 = 38
- A2 = 80
- A = 130
- H1 = 285
- B = 117
- S = 46
- Mass = 38.8 kg

| | | | |
|---------------------------------------|-----------------|---------------------------------------|----------|
| Basic Dynamic Load Rating Cr : | 205000 N | | |
| Basic Static Load Rating Cor : | 178800 N | O.D.Surface Runout with Side : | - |
| Limiting Speed ; | | Axial Runout with Bore : | - |
| Grease Lubrication : | - rpm | Axial Runout with Raceway : | - |
| Oil Lubrication : | - rpm | Width Variation : | - |
| | | Radial Runout : | - |