

ROECO

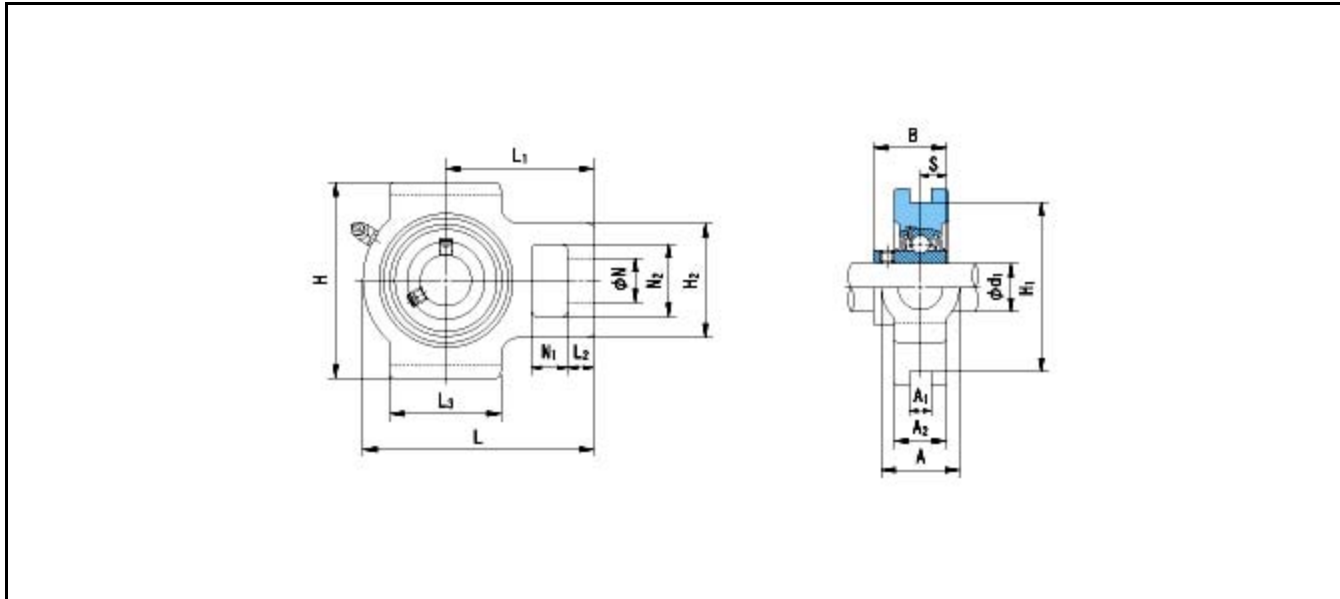
# Bearing Data

## Ball Bearing Units

Bearing No. : **UCT321**

### Dimensions

- H = 290
- H2 = 175
- L = 345
- L1 = 210
- L2 = 32
- L3 = 200
- N = 59
- N1 = 48
- N2 = 115



### Dimensions

- d1 = 105
- A1 = 35
- A2 = 75
- A = 120
- H1 = 260
- B = 112
- S = 44
- Mass = 30.2 kg

<b>Basic Dynamic Load Rating Cr :</b>	<b>183000 N</b>			<b>INNER RING</b>	<b>OUTER RING</b>
<b>Basic Static Load Rating Cor :</b>	<b>153100 N</b>	<b>O.D.Surface Runout with Side :</b>			-
<b>Limiting Speed ;</b>		<b>Axial Runout with Bore :</b>		-	
		<b>Axial Runout with Raceway :</b>		-	-
<b>Grease Lubrication :</b>	- rpm	<b>Width Variation :</b>		-	-
<b>Oil Lubrication :</b>	- rpm	<b>Radial Runout :</b>		-	-