

ROECO

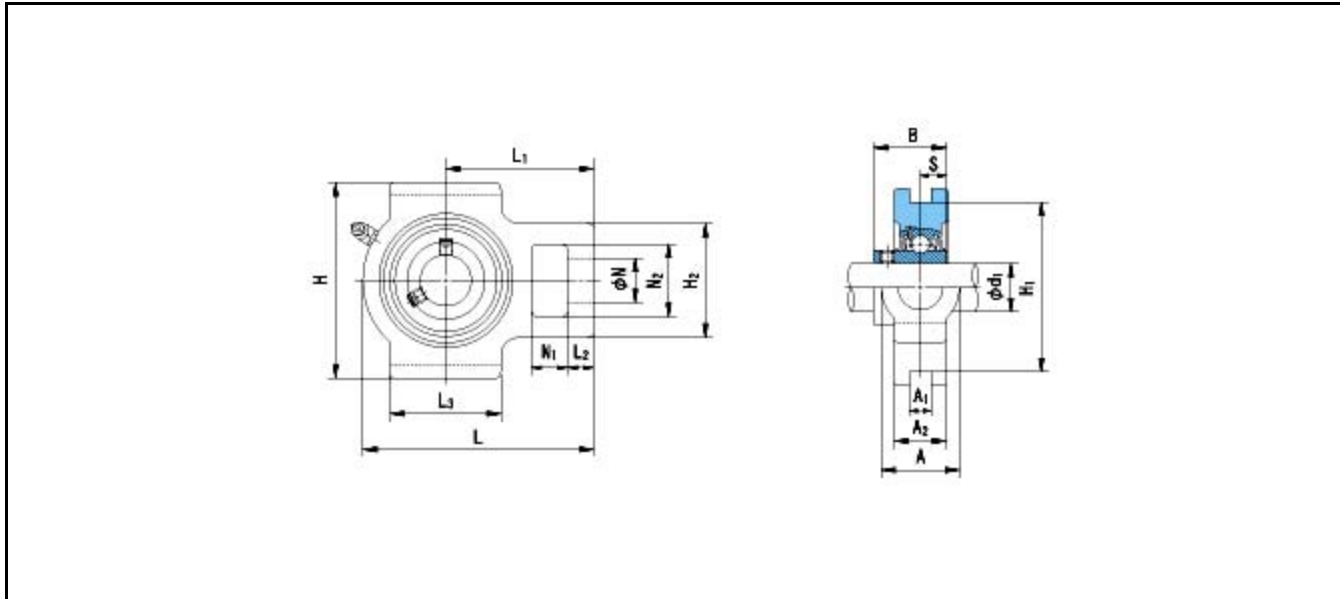
Bearing Data

Ball Bearing Units

Bearing No. : **UCT320**

Dimensions

- H = 290
- H2 = 175
- L = 345
- L1 = 210
- L2 = 32
- L3 = 200
- N = 59
- N1 = 48
- N2 = 115



Dimensions

- d1 = 100
- A1 = 35
- A2 = 75
- A = 120
- H1 = 260
- B = 108
- S = 42
- Mass = 30.6 kg

Basic Dynamic Load Rating Cr :	173000 N				
Basic Static Load Rating Cor :	140400 N	O.D.Surface Runout with Side :			-
		Axial Runout with Bore :			-
Limiting Speed ;		Axial Runout with Raceway :			-
Grease Lubrication :	- rpm	Width Variation :			-
Oil Lubrication :	- rpm	Radial Runout :			-