

ROECO

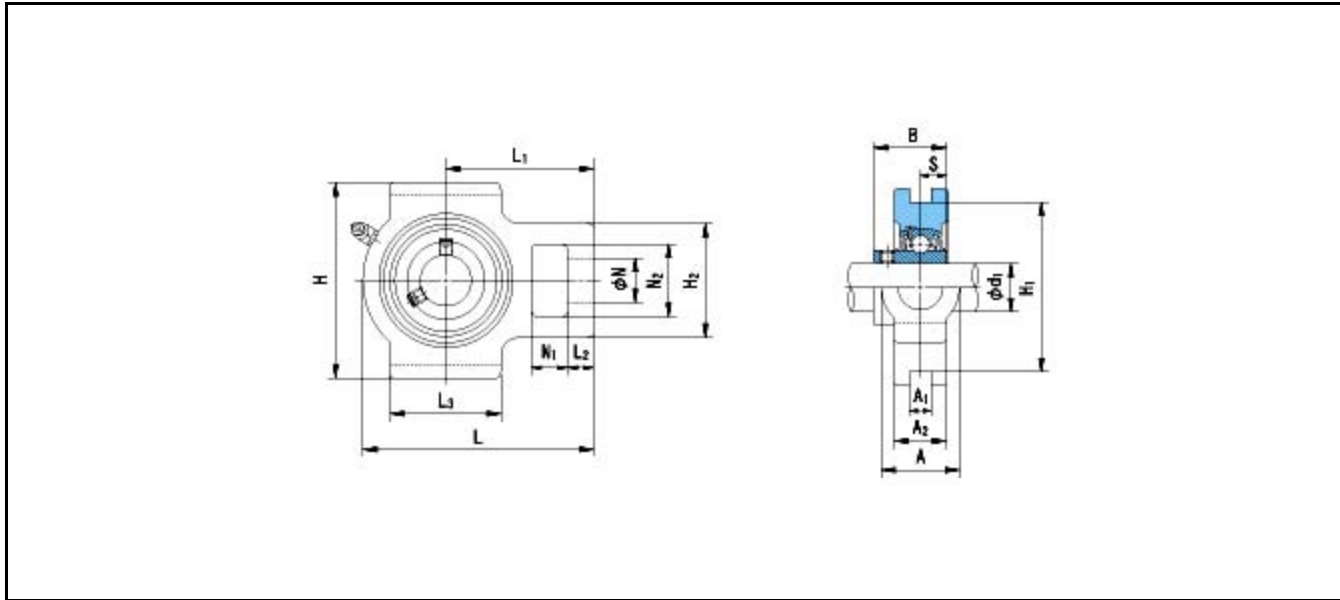
Bearing Data

Ball Bearing Units

Bearing No. : **UCT319**

Dimensions

- H = 270
- H2 = 165
- L = 322
- L1 = 197
- L2 = 31
- L3 = 180
- N = 57
- N1 = 46
- N2 = 106



Dimensions

- d1 = 95
- A1 = 35
- A2 = 72
- A = 110
- H1 = 240
- B = 103
- S = 41
- Mass = 24.4 kg

Basic Dynamic Load Rating Cr :	153000 N			
Basic Static Load Rating Cor :	118400 N	O.D.Surface Runout with Side :		-
Limiting Speed ;		Axial Runout with Bore :	-	
		Axial Runout with Raceway :	-	-
Grease Lubrication :	- rpm	Width Variation :	-	-
Oil Lubrication :	- rpm	Radial Runout :	-	-