

ROECO

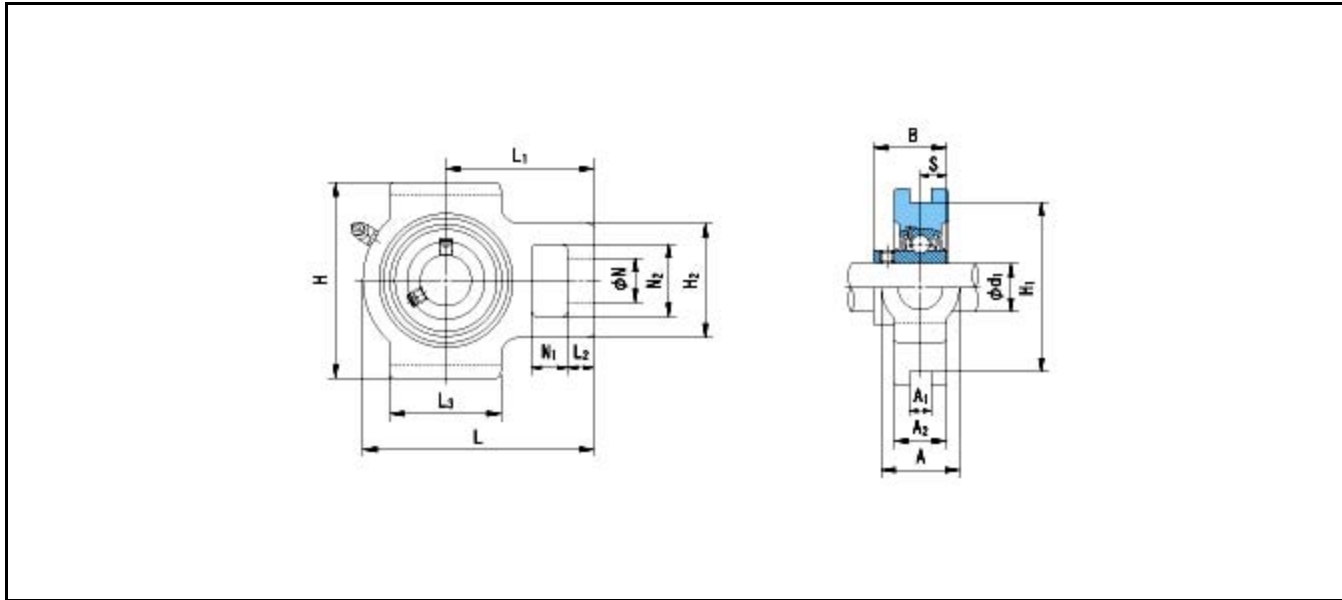
Bearing Data

Ball Bearing Units

Bearing No. : **UCT318**

Dimensions

- H = 255
- H2 = 160
- L = 312
- L1 = 192
- L2 = 30
- L3 = 175
- N = 57
- N1 = 46
- N2 = 106



Dimensions

- d1 = 90
- A1 = 32
- A2 = 66
- A = 110
- H1 = 228
- B = 96
- S = 40
- Mass = 21.2 kg

Basic Dynamic Load Rating Cr :	143000 N		
Basic Static Load Rating Cor :	107200 N	O.D.Surface Runout with Side :	-
Limiting Speed ;		Axial Runout with Bore :	-
Grease Lubrication :	- rpm	Axial Runout with Raceway :	-
Oil Lubrication :	- rpm	Width Variation :	-
		Radial Runout :	-

INNER RING OUTER RING