

ROECO

Bearing Data

Ball Bearing Units

Bearing No. : **UCT317**

Dimensions

H = 240

H2 = 152

L = 298

L1 = 183

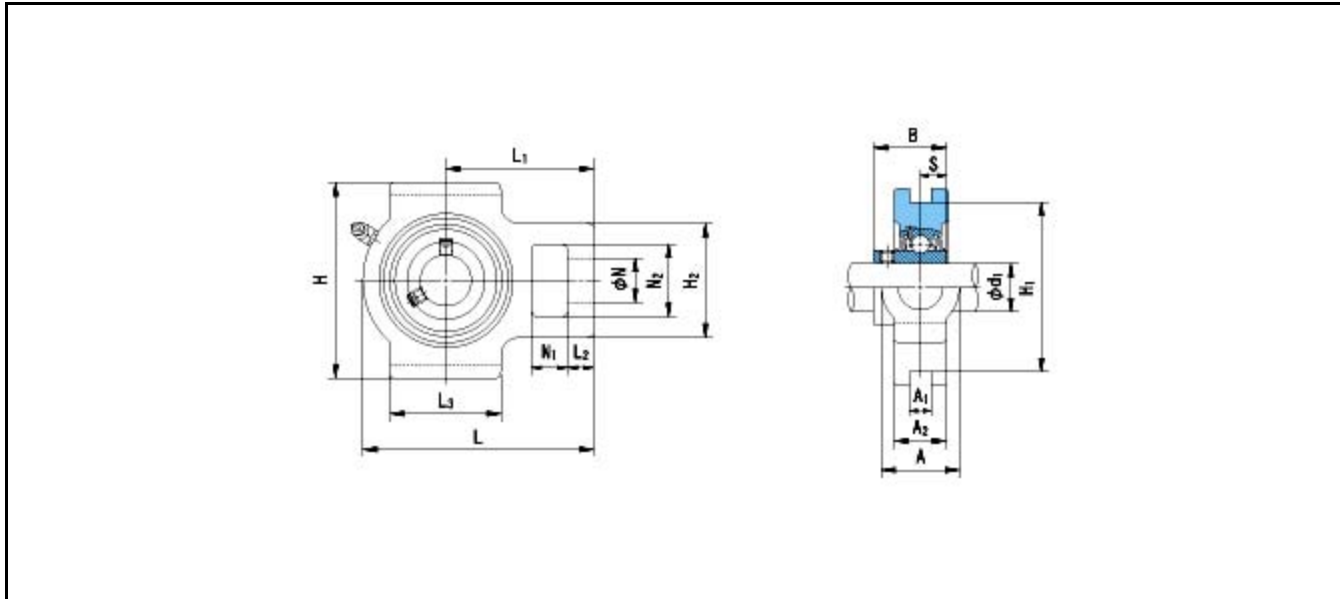
L2 = 30

L3 = 170

N = 53

N1 = 42

N2 = 98



Dimensions

d1 = 85

A1 = 32

A2 = 64

A = 102

H1 = 214

B = 96

S = 40

Mass = 19.3 kg

Basic Dynamic Load Rating Cr :	132000 N			
Basic Static Load Rating Cor :	96500 N	O.D.Surface Runout with Side :		-
Limiting Speed ;		Axial Runout with Bore :	-	
Grease Lubrication :	- rpm	Axial Runout with Raceway :	-	-
Oil Lubrication :	- rpm	Width Variation :	-	-
		Radial Runout :	-	-