

ROECO

# Bearing Data

## Ball Bearing Units

Bearing No. : **UCT316**

Dimensions

H = 230

H2 = 150

L = 282

L1 = 174

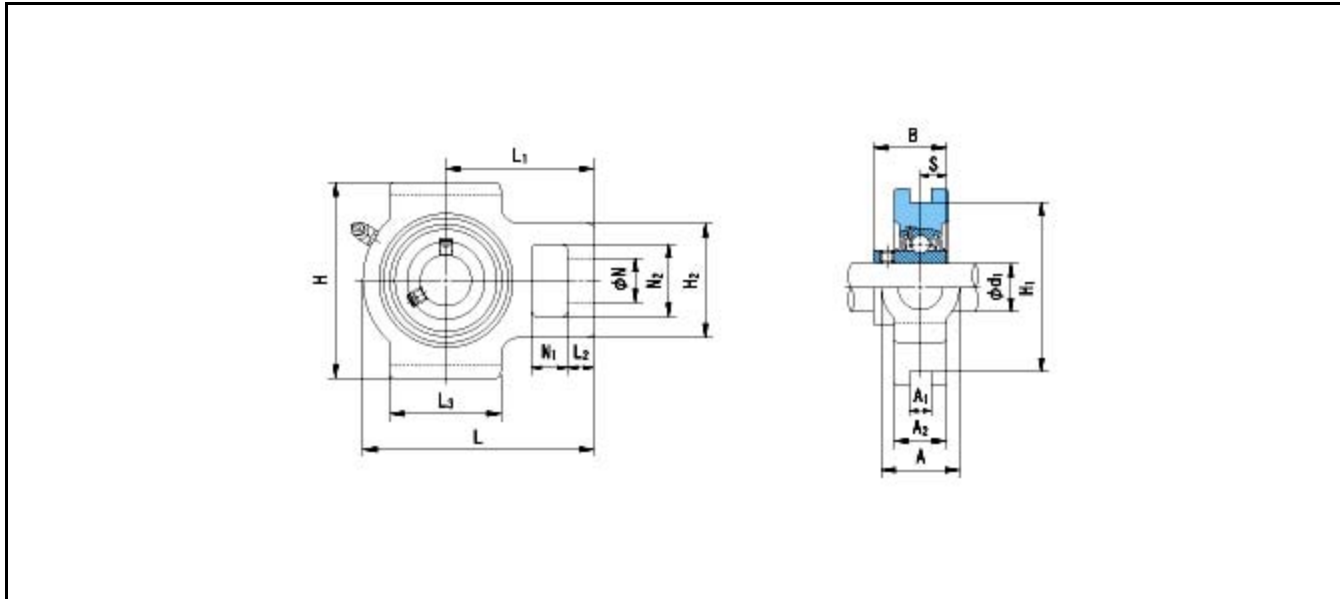
L2 = 28

L3 = 160

N = 53

N1 = 42

N2 = 98



Dimensions

d1 = 80

A1 = 30

A2 = 60

A = 102

H1 = 204

B = 86

S = 34

Mass = 15.6 kg

<b>Basic Dynamic Load Rating Cr :</b>	<b>123000 N</b>		
<b>Basic Static Load Rating Cor :</b>	<b>86400 N</b>	<b>O.D.Surface Runout with Side :</b>	<b>-</b>
<b>Limiting Speed ;</b>		<b>Axial Runout with Bore :</b>	<b>-</b>
<b>Grease Lubrication :</b>	<b>- rpm</b>	<b>Axial Runout with Raceway :</b>	<b>-</b>
<b>Oil Lubrication :</b>	<b>- rpm</b>	<b>Width Variation :</b>	<b>-</b>
		<b>Radial Runout :</b>	<b>-</b>

**INNER RING OUTER RING**