

ROECO

# Bearing Data

## Ball Bearing Units

Bearing No. : **UCT313**

Dimensions

H = 190

H2 = 116

L = 238

L1 = 146

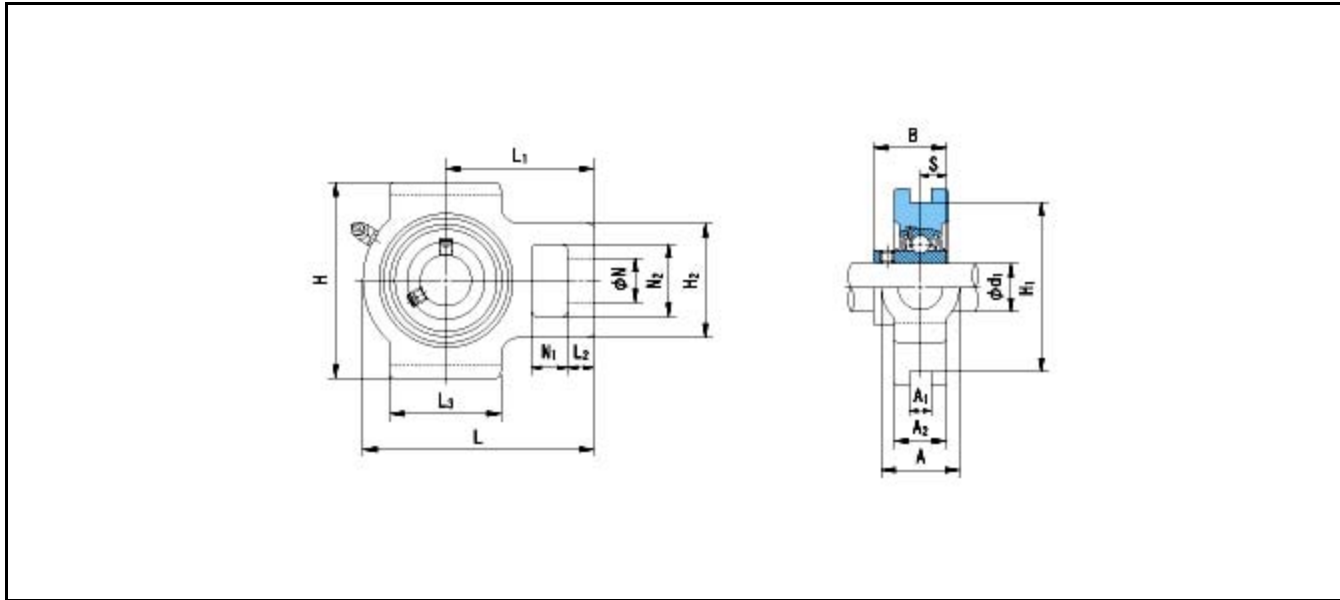
L2 = 25

L3 = 134

N = 43

N1 = 32

N2 = 70



Dimensions

d1 = 65

A1 = 26

A2 = 50

A = 80

H1 = 170

B = 75

S = 30

Mass = 9.2 kg

Basic Dynamic Load Rating Cr :	92500 N	INNER RING	OUTER RING
Basic Static Load Rating Cor :	59700 N	O.D.Surface Runout with Side :	-
Limiting Speed ;		Axial Runout with Bore :	-
Grease Lubrication :	- rpm	Axial Runout with Raceway :	-
Oil Lubrication :	- rpm	Width Variation :	-
		Radial Runout :	-