

ROECO

# Bearing Data

## Ball Bearing Units

Bearing No. : **UCT309**

### Dimensions

H = 138

H2 = 90

L = 178

L1 = 110

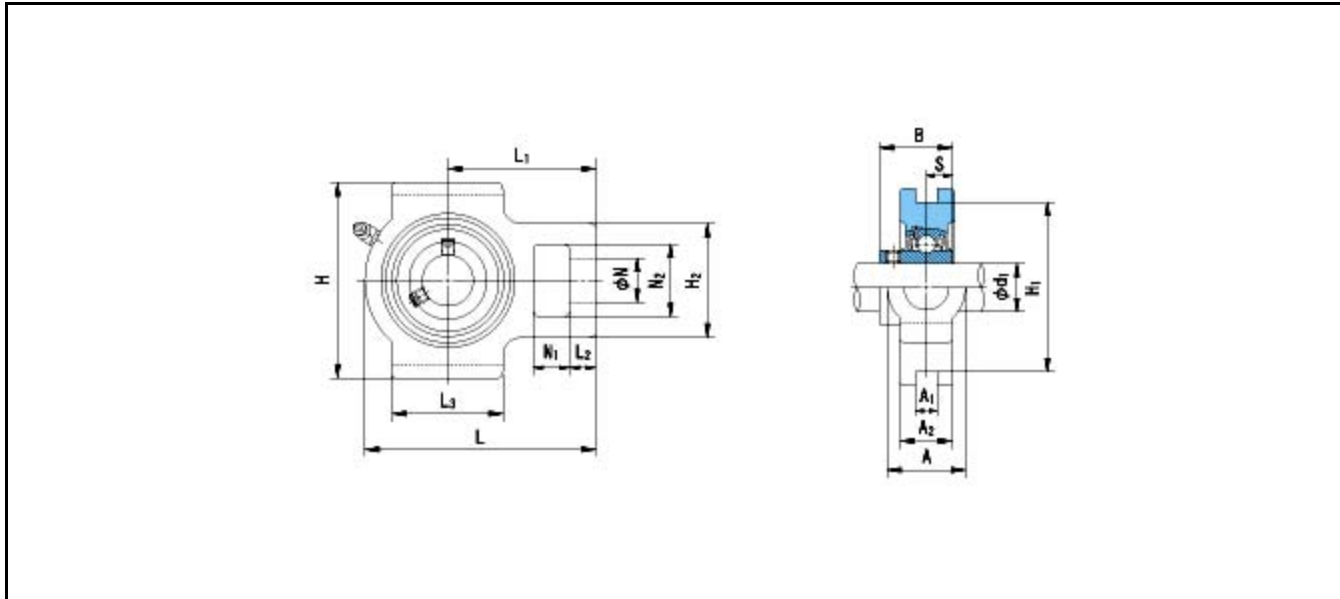
L2 = 18

L3 = 97

N = 34

N1 = 24

N2 = 55



### Dimensions

d1 = 45

A1 = 18

A2 = 38

A = 55

H1 = 125

B = 57

S = 22

Mass = 4.1 kg

Basic Dynamic Load Rating Cr :	<b>51500 N</b>				
Basic Static Load Rating Cor :	<b>29500 N</b>	O.D.Surface Runout with Side :			-
Limiting Speed ;		Axial Runout with Bore :			-
Grease Lubrication :	- rpm	Axial Runout with Raceway :			-
Oil Lubrication :	- rpm	Width Variation :			-
		Radial Runout :			-