

ROECO

Bearing Data

Ball Bearing Units

Bearing No. : **UCT308**

Dimensions

H = 124

H2 = 83

L = 162

L1 = 100

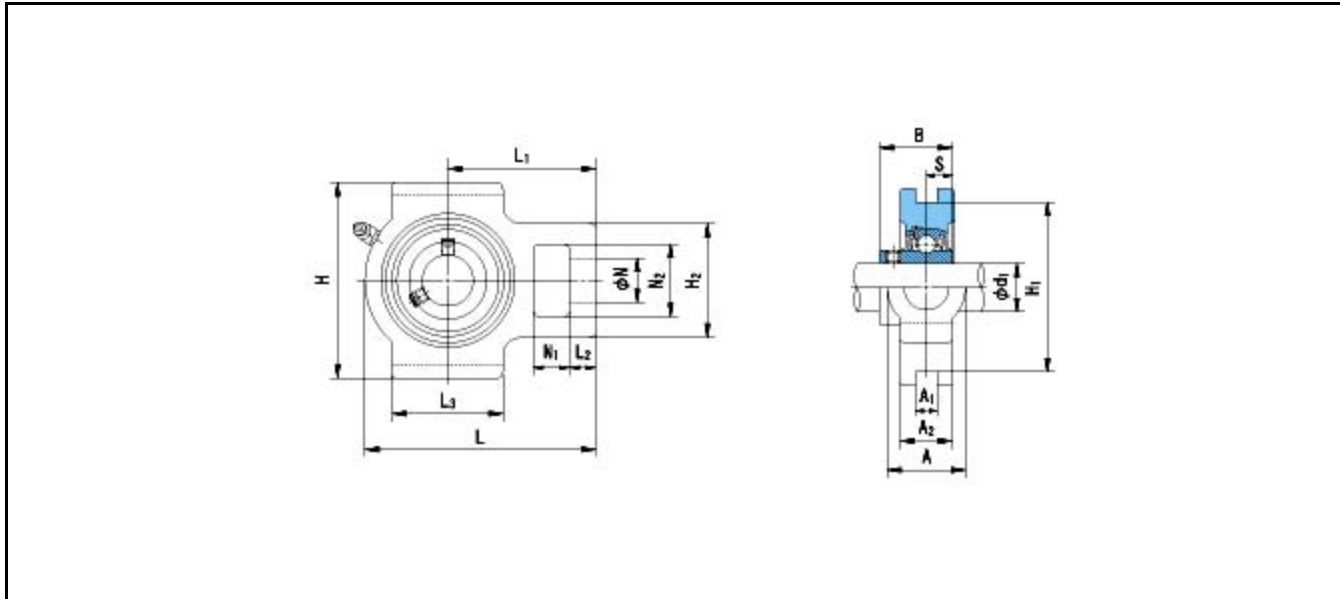
L2 = 17

L3 = 89

N = 32

N1 = 22

N2 = 50



Dimensions

d1 = 40

A1 = 18

A2 = 34

A = 50

H1 = 112

B = 52

S = 19

Mass = 3 kg

Basic Dynamic Load Rating Cr :	40500 N		INNER RING	OUTER RING
Basic Static Load Rating Cor :	23900 N	O.D.Surface Runout with Side :		-
Limiting Speed ;		Axial Runout with Bore :	-	
		Axial Runout with Raceway :	-	-
Grease Lubrication :	- rpm	Width Variation :	-	-
Oil Lubrication :	- rpm	Radial Runout :	-	-