

ROECO

Bearing Data

Ball Bearing Units

Bearing No. : **UCT307**

Dimensions

H = 111

H2 = 75

L = 150

L1 = 94

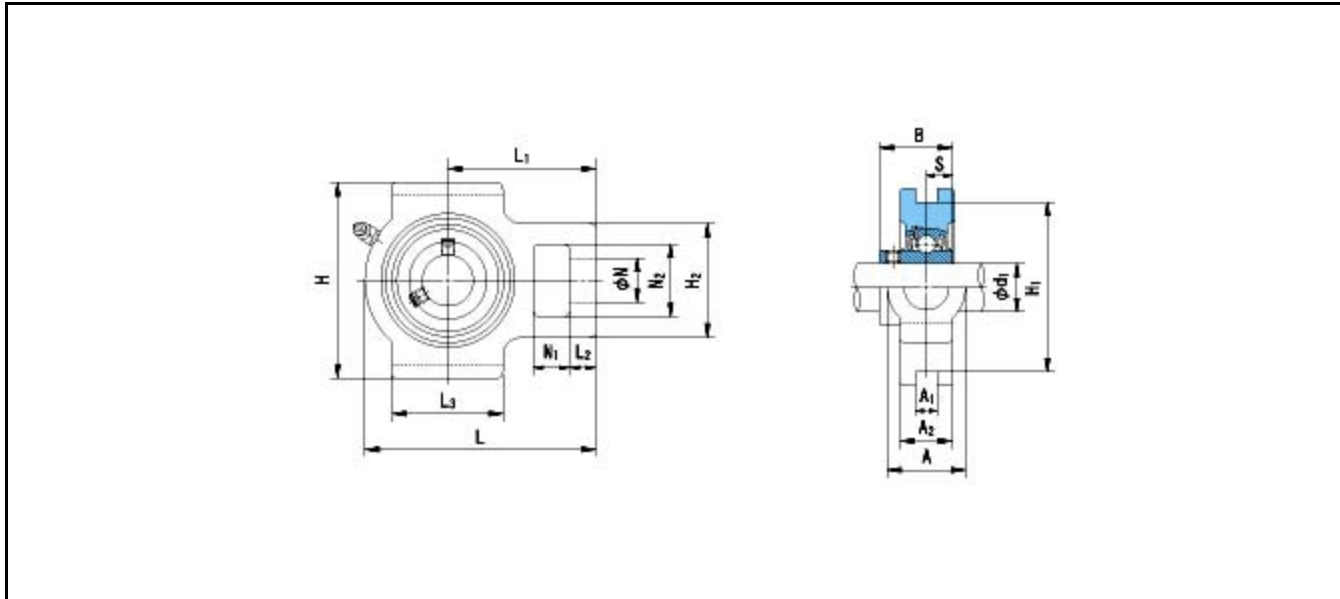
L2 = 15

L3 = 80

N = 30

N1 = 20

N2 = 45



Dimensions

d1 = 35

A1 = 16

A2 = 32

A = 45

H1 = 100

B = 48

S = 19

Mass = 2.4 kg

Basic Dynamic Load Rating Cr :	33500 N			
Basic Static Load Rating Cor :	19200 N	O.D.Surface Runout with Side :		-
Limiting Speed ;		Axial Runout with Bore :		-
Grease Lubrication :	- rpm	Axial Runout with Raceway :		-
Oil Lubrication :	- rpm	Width Variation :		-
		Radial Runout :		-