

ROECO

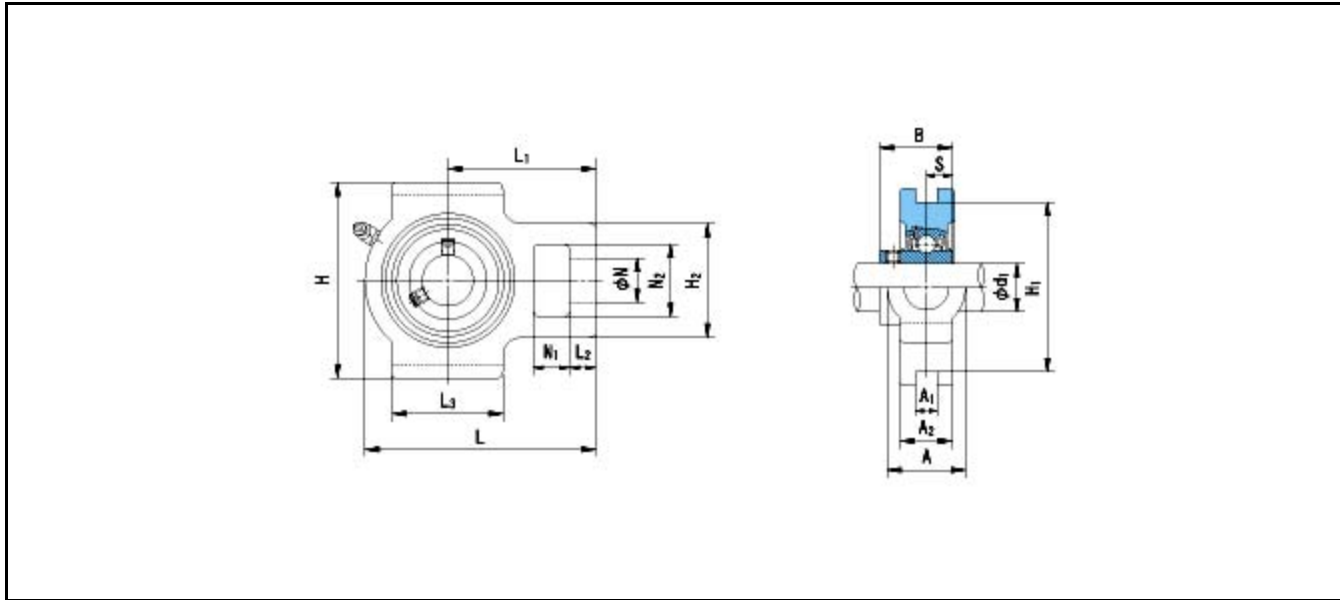
Bearing Data

Ball Bearing Units

Bearing No. : **UCT306**

Dimensions

- H = 100
- H2 = 70
- L = 137
- L1 = 85
- L2 = 14
- L3 = 74
- N = 28
- N1 = 18
- N2 = 41



Dimensions

- d1 = 30
- A1 = 16
- A2 = 28
- A = 41
- H1 = 90
- B = 43
- S = 17
- Mass = 1.8 kg

Basic Dynamic Load Rating Cr :	26800 N			
Basic Static Load Rating Cor :	15000 N	O.D.Surface Runout with Side :		INNER RING OUTER RING
Limiting Speed ;		Axial Runout with Bore :	-	
Grease Lubrication :	- rpm	Axial Runout with Raceway :	-	-
Oil Lubrication :	- rpm	Width Variation :	-	-
		Radial Runout :	-	-