

ROECO

Bearing Data

Ball Bearing Units

Bearing No. : **UCT216**

Dimensions

H = 184

H2 = 111

L = 235

L1 = 140

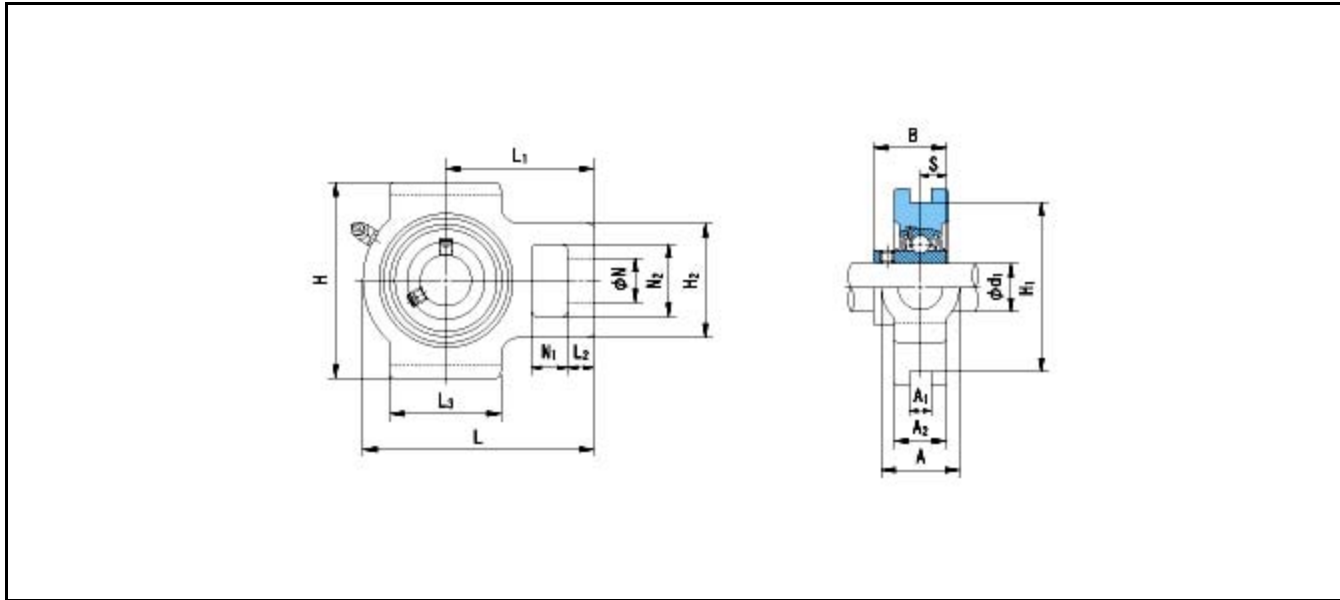
L2 = 21

L3 = 121

N = 41

N1 = 32

N2 = 70



Dimensions

d1 = 80

A1 = 26

A2 = 51

A = 70

H1 = 165

B = 82.6

S = 33.3

Mass = 8.5 kg

Basic Dynamic Load Rating Cr : **72500 N**

Basic Static Load Rating Cor : **53000 N**

Limiting Speed ;

Grease Lubrication : - rpm

Oil Lubrication : - rpm

INNER RING OUTER RING

O.D.Surface Runout with Side : -

Axial Runout with Bore : -

Axial Runout with Raceway : -

Width Variation : -

Radial Runout : -