

ROECO

# Bearing Data

## Ball Bearing Units

Bearing No. : **UCT214**

Dimensions

H = 167

H2 = 111

L = 224

L1 = 137

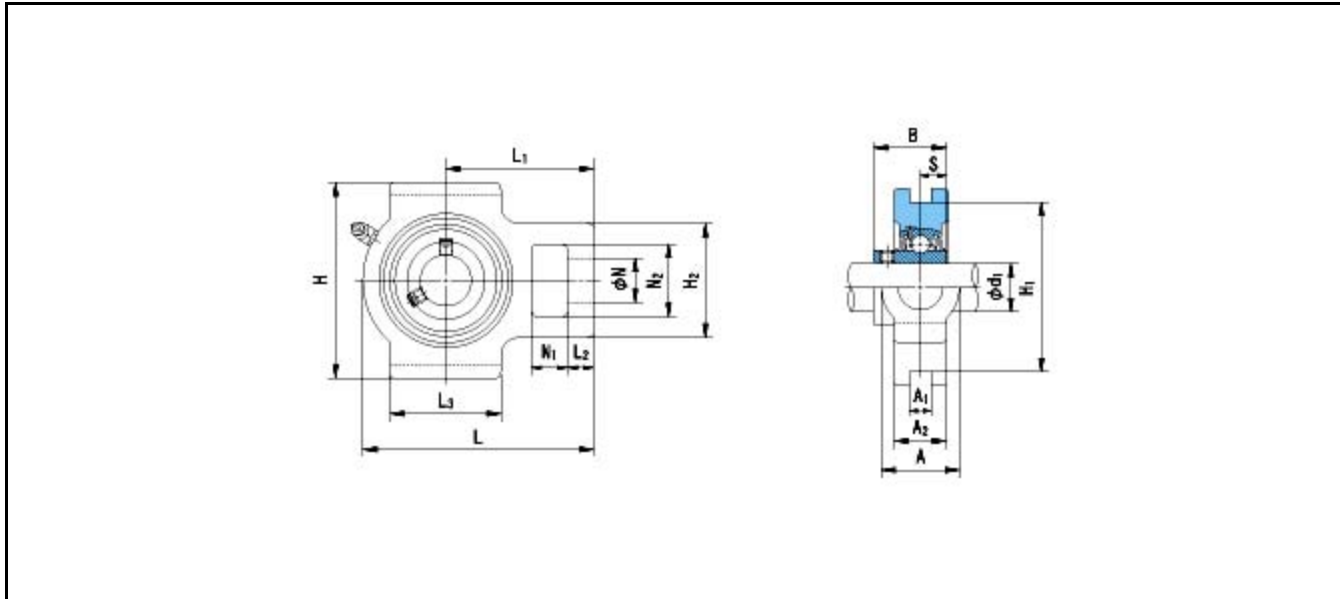
L2 = 21

L3 = 121

N = 41

N1 = 32

N2 = 70



Dimensions

d1 = 70

A1 = 26

A2 = 46

A = 70

H1 = 151

B = 74.6

S = 30.2

Mass = 7.1 kg

Basic Dynamic Load Rating Cr :	<b>62000 N</b>			
			<b>INNER RING</b>	<b>OUTER RING</b>
Basic Static Load Rating Cor :	<b>44000 N</b>	O.D.Surface Runout with Side :	-	-
Limiting Speed ;		Axial Runout with Bore :	-	-
		Axial Runout with Raceway :	-	-
Grease Lubrication :	- rpm	Width Variation :	-	-
Oil Lubrication :	- rpm	Radial Runout :	-	-