

ROECO

Bearing Data

Ball Bearing Units

Bearing No. : **UCT213**

Dimensions

H = 167

H2 = 111

L = 224

L1 = 137

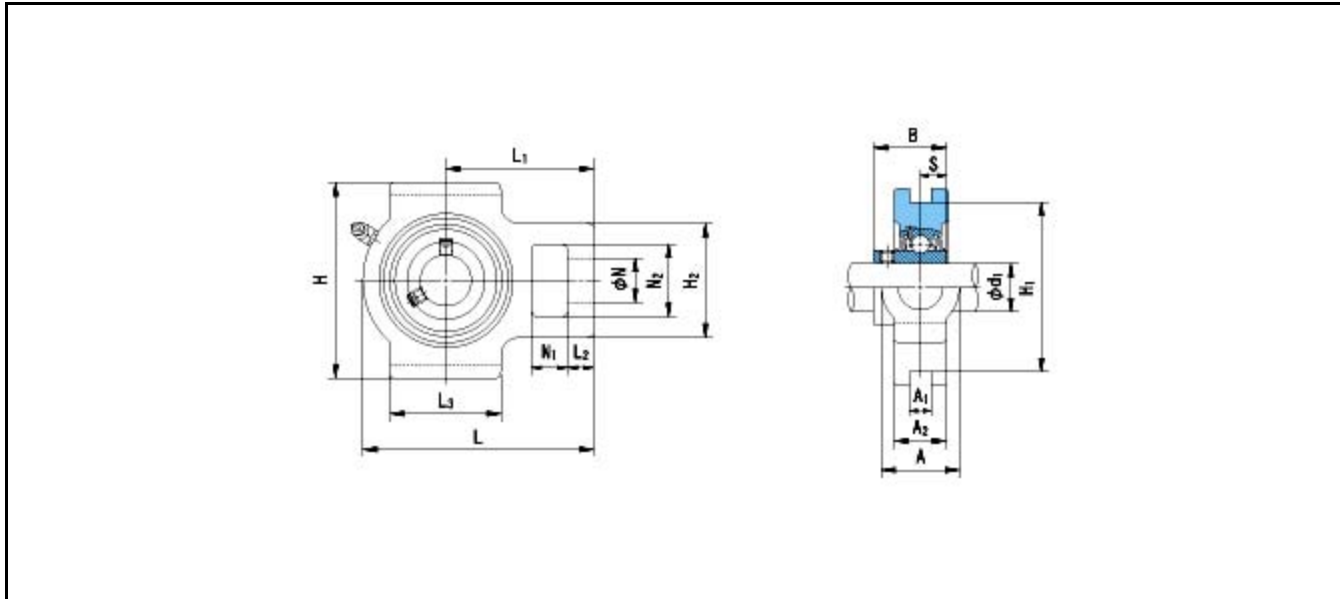
L2 = 21

L3 = 121

N = 41

N1 = 32

N2 = 70



Dimensions

d1 = 65

A1 = 26

A2 = 44

A = 70

H1 = 151

B = 65.1

S = 25.4

Mass = 7 kg

Basic Dynamic Load Rating Cr :	57500 N		INNER RING	OUTER RING
Basic Static Load Rating Cor :	40000 N	O.D.Surface Runout with Side :	-	-
Limiting Speed ;		Axial Runout with Bore :	-	-
Grease Lubrication :	- rpm	Axial Runout with Raceway :	-	-
Oil Lubrication :	- rpm	Width Variation :	-	-
		Radial Runout :	-	-