

ROECO

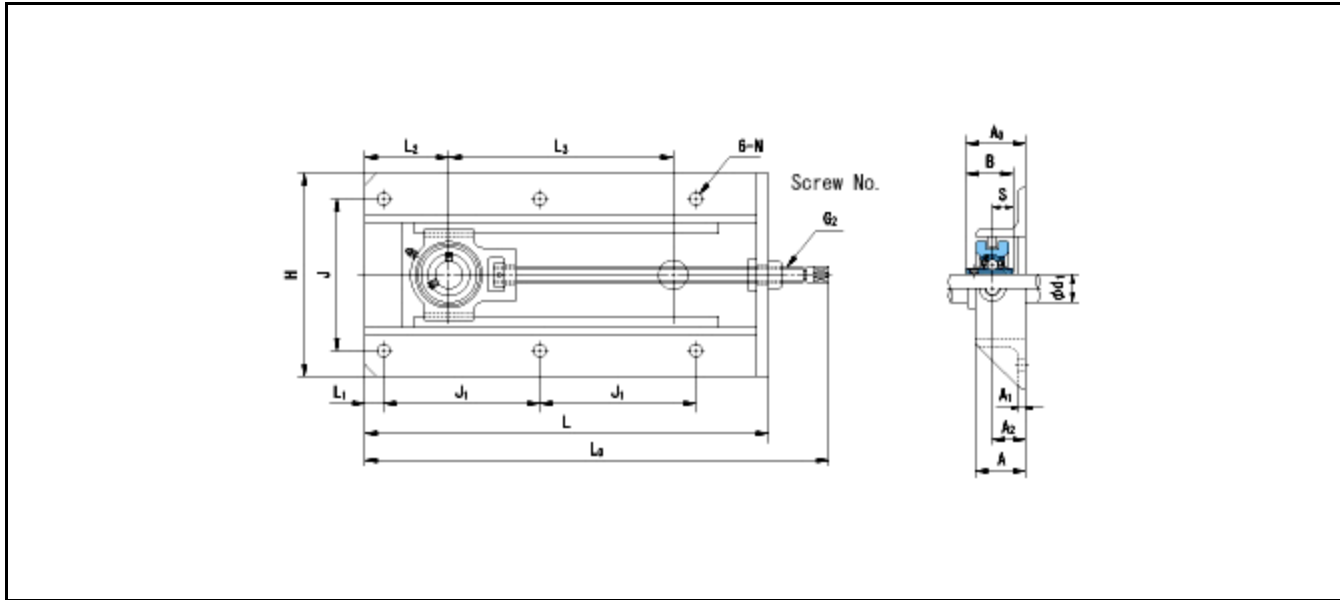
Bearing Data

Ball Bearing Units

Bearing No. : **UCT212+WB**

Dimensions

H = 301
L = 568
J = 240
J1 = 243
N = 15
L1 = 22
L2 = 127
L3 = 300
G2 = Tr30
L0 = 657



Dimensions

d1 = 60
A1 = 38
A2 = 6
A = 65
A0 = 77.7
S = 25.4
Mass = 18.7 kg

Basic Dynamic Load Rating Cr :	52500 N		INNER RING	OUTER RING
Basic Static Load Rating Cor :	36100 N	O.D.Surface Runout with Side :	-	-
Limiting Speed ;		Axial Runout with Bore :	-	-
Grease Lubrication :	- rpm	Axial Runout with Raceway :	-	-
Oil Lubrication :	- rpm	Width Variation :	-	-
		Radial Runout :	-	-