

ROECO

Bearing Data

Ball Bearing Units

Bearing No. : **UCT211**

Dimensions

H = 146

H2 = 102

L = 171

L1 = 106

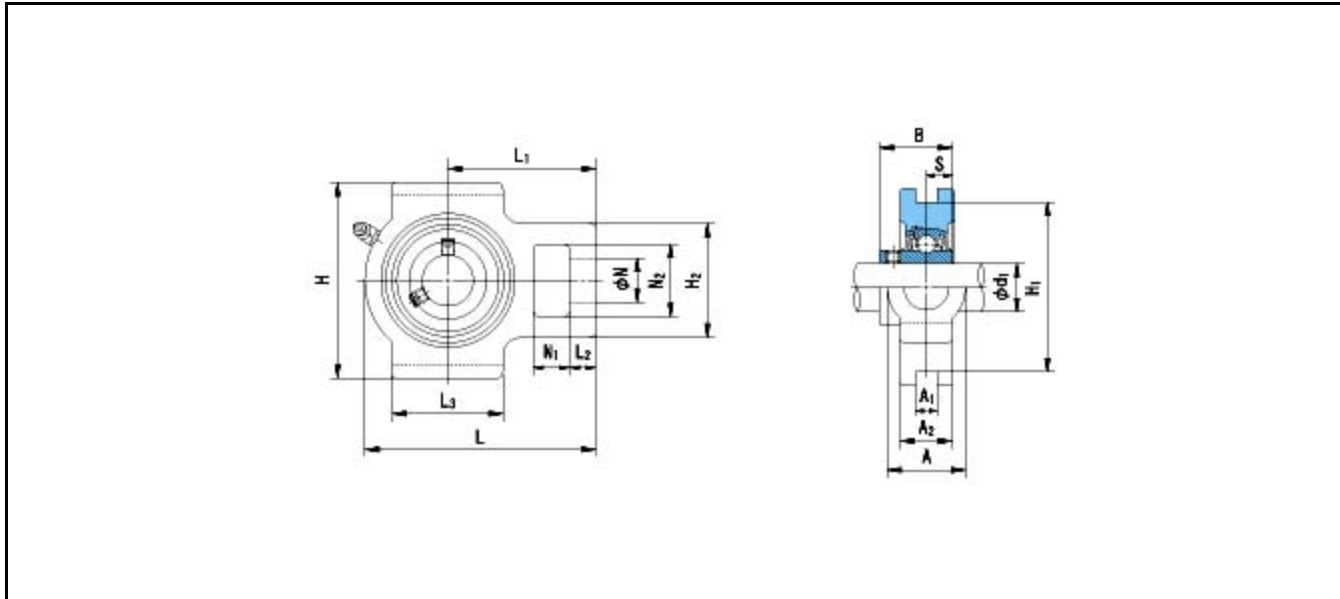
L2 = 19

L3 = 95

N = 35

N1 = 25

N2 = 64



Dimensions

d1 = 55

A1 = 22

A2 = 38

A = 64

H1 = 130

B = 55.6

S = 22.2

Mass = 4 kg

Basic Dynamic Load Rating Cr :	43000 N	INNER RING	OUTER RING
Basic Static Load Rating Cor :	29400 N	O.D.Surface Runout with Side :	-
Limiting Speed ;		Axial Runout with Bore :	-
Grease Lubrication :	- rpm	Axial Runout with Raceway :	-
Oil Lubrication :	- rpm	Width Variation :	-
		Radial Runout :	-