

ROECO

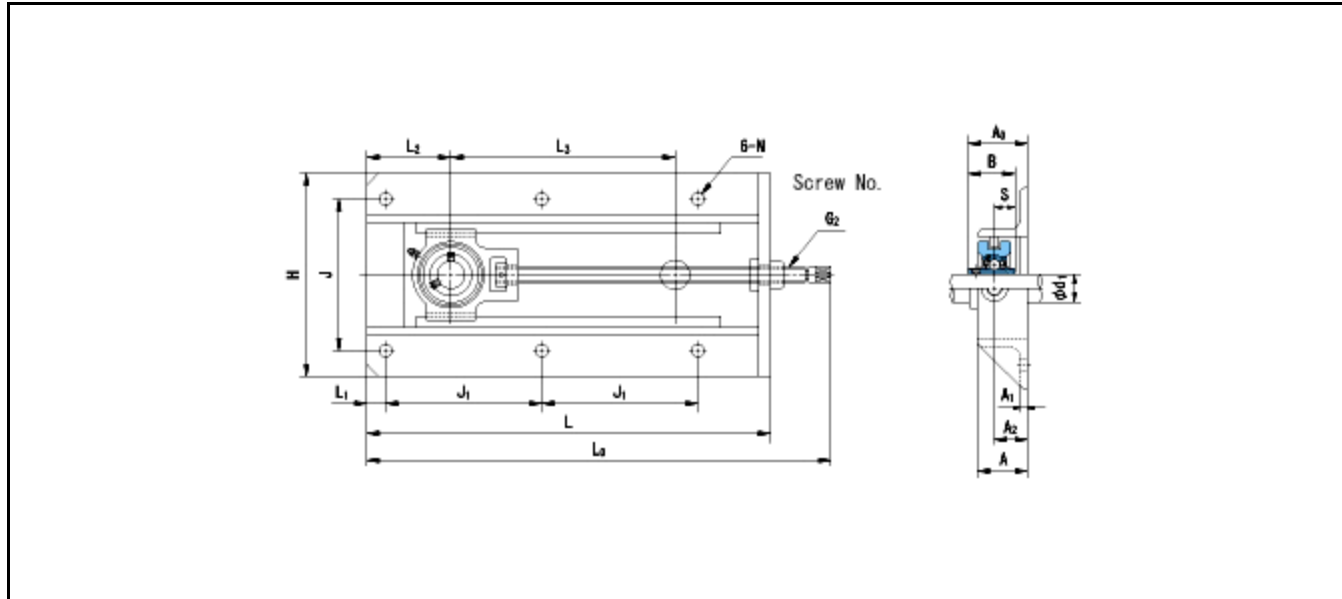
Bearing Data

Ball Bearing Units

Bearing No. : **UCT211+WB**

Dimensions

- H = 301
- L = 542
- J = 240
- J1 = 230
- N = 15
- L1 = 22
- L2 = 114
- L3 = 300
- G2 = Tr30
- L0 = 631



Dimensions

- d1 = 55
- A1 = 38
- A2 = 6
- A = 65
- A0 = 71.4
- S = 22.2
- Mass = 17.3 kg

Basic Dynamic Load Rating Cr :	43000 N	INNER RING	OUTER RING
Basic Static Load Rating Cor :	29400 N	O.D.Surface Runout with Side :	-
Limiting Speed ;		Axial Runout with Bore :	-
Grease Lubrication :	- rpm	Axial Runout with Raceway :	-
Oil Lubrication :	- rpm	Width Variation :	-
		Radial Runout :	-